



(12) **United States Design Patent**
Lin

(10) **Patent No.:** **US D827,762 S**
(45) **Date of Patent:** **** Sep. 4, 2018**

- (54) **STUN GUN**
- (71) Applicant: **DID, INC.**, Boise, ID (US)
- (72) Inventor: **Mindy Lynn Lin**, Eagle, ID (US)
- (73) Assignee: **DID, INC.**, Boise, ID (US)
- (**) Term: **15 Years**
- (21) Appl. No.: **29/544,022**
- (22) Filed: **Oct. 29, 2015**
- (51) **LOC (11) Cl.** **22-02**
- (52) **U.S. Cl.**
USPC **D22/117**
- (58) **Field of Classification Search**
USPC D16/206, 208, 209; D22/117, 123
CPC G03B 15/03; G03B 17/02
See application file for complete search history.

- 2013/0201595 A1* 8/2013 Nawaz F41B 15/08
361/232
- 2013/0222986 A1* 8/2013 Nakatsu H04N 5/2251
361/679.01
- 2014/0184041 A1* 7/2014 Ikezawa H04N 5/2252
312/223.1
- 2014/0347729 A1* 11/2014 Park G02B 7/10
359/511
- 2015/0029336 A1* 1/2015 Kucheryuk H04N 7/183
348/148
- 2015/0030320 A1* 1/2015 Clearman E05B 17/2019
396/536
- 2015/0124116 A1* 5/2015 Nakajima G03B 17/02
348/222.1

(Continued)

Primary Examiner — Susan Bennett Hattan
Assistant Examiner — Suzanne E Tisdell
(74) *Attorney, Agent, or Firm* — Parry IP PLLC; Jeffrey C. Parry

(57) **CLAIM**

I claim the ornamental design for a stun gun, as shown and described.

(56) **References Cited**

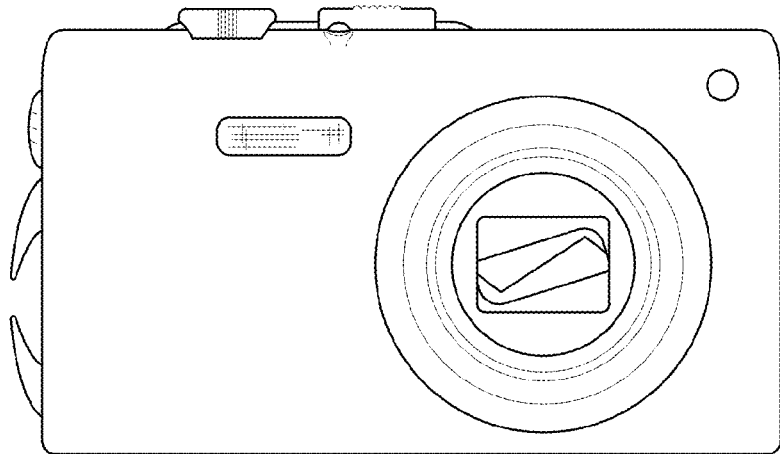
U.S. PATENT DOCUMENTS

- D457,905 S * 5/2002 Watanabe D16/209
- D494,200 S * 8/2004 Hayamizu D16/202
- 7,075,770 B1 * 7/2006 Smith F42B 12/36
102/502
- D540,357 S * 4/2007 Sakai D16/202
- D550,743 S * 9/2007 Bai D16/200
- D553,171 S * 10/2007 Martres D16/200
- 8,559,811 B1 * 10/2013 Lin G03B 15/05
396/177
- D721,118 S * 1/2015 Chai D16/209
- D738,421 S * 9/2015 Ham D16/209
- D738,948 S * 9/2015 Ham D16/202
- D753,208 S * 4/2016 Elrod D16/208
- 2011/0194235 A1* 8/2011 Ikezawa G03B 17/02
361/679.01
- 2011/0199720 A1* 8/2011 Kajiyama B65D 53/00
361/679.01
- 2011/0205383 A1* 8/2011 Shah H04N 5/232
348/222.1

DESCRIPTION

FIG. 1 depicts a front view of a stun gun disguised as a camera;
FIG. 2 depicts a rear view of a stun gun disguised as a camera;
FIG. 3 depicts front-side perspective view of a stun gun disguised as a camera;
FIG. 4 depicts a rear left side perspective view of a stun gun disguised as a camera;
FIG. 5 depicts a top rear right side perspective view of a stun gun disguised as a camera;
FIG. 6 depicts a bottom rear right side perspective view of a stun gun disguised as a camera; and,
FIG. 7 depicts a top perspective view of a stun gun disguised as a camera.

1 Claim, 4 Drawing Sheets



(56)

References Cited

U.S. PATENT DOCUMENTS

2015/0207966	A1*	7/2015	Kudoh	H04N 5/2253 348/374
2015/0341530	A1*	11/2015	Amano	H04N 5/23293 348/374
2015/0369468	A1*	12/2015	Chao	H04N 5/2252 361/679.01
2016/0069651	A1*	3/2016	Gull Gazit	F41H 13/0018 361/232
2016/0139492	A1*	5/2016	Kamada	G03B 17/02 396/456

* cited by examiner

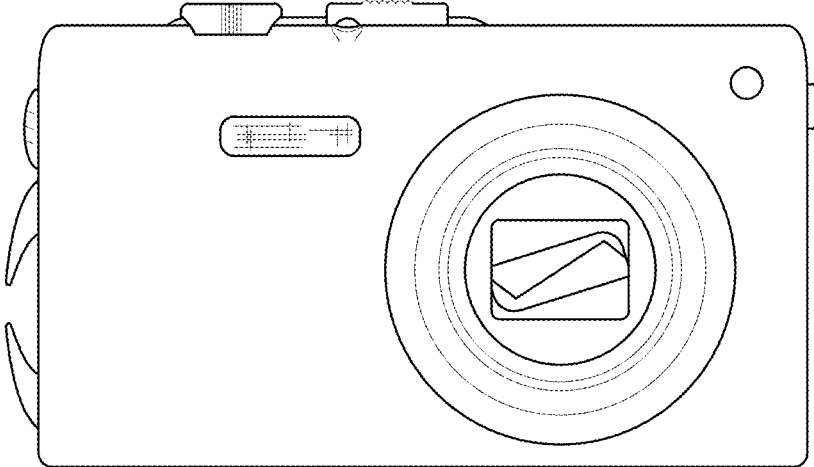


FIG. 1

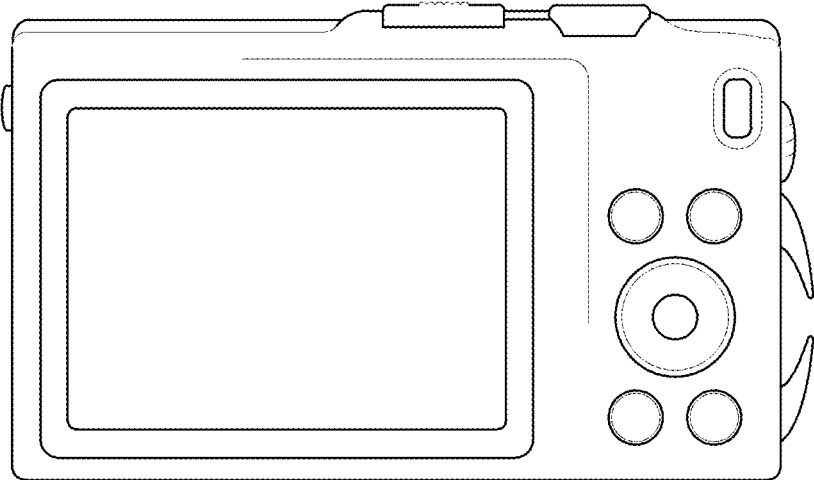


FIG. 2

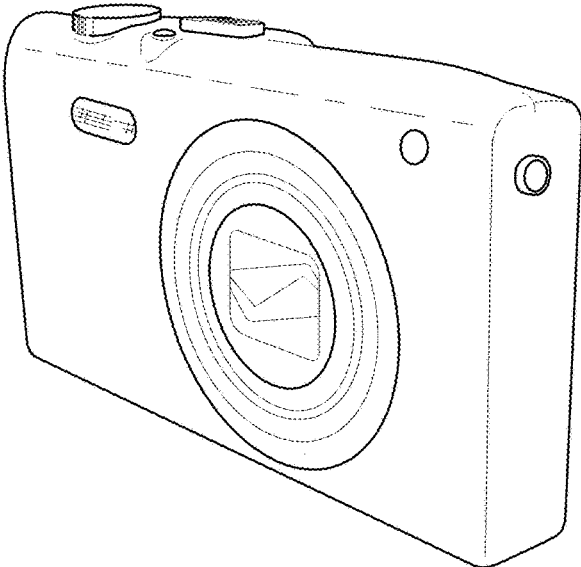


FIG. 3

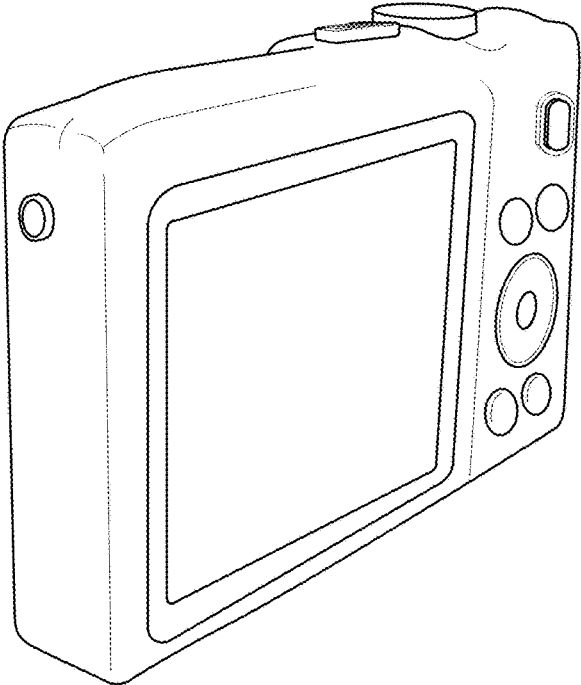


FIG. 4

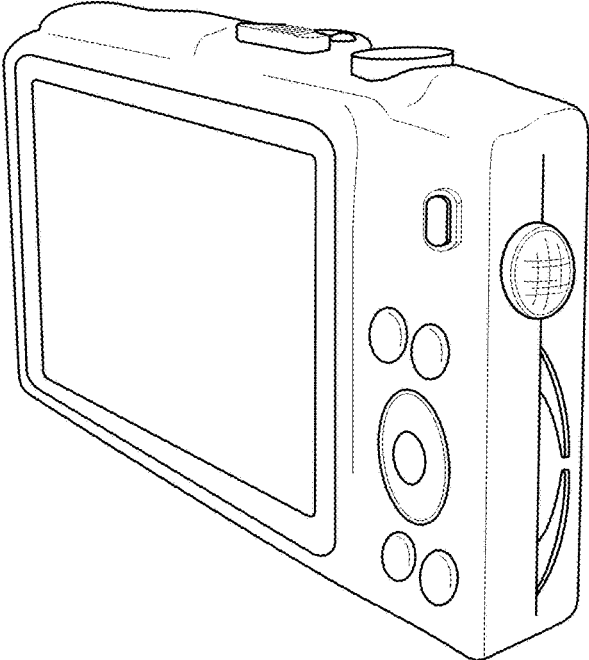


FIG. 5

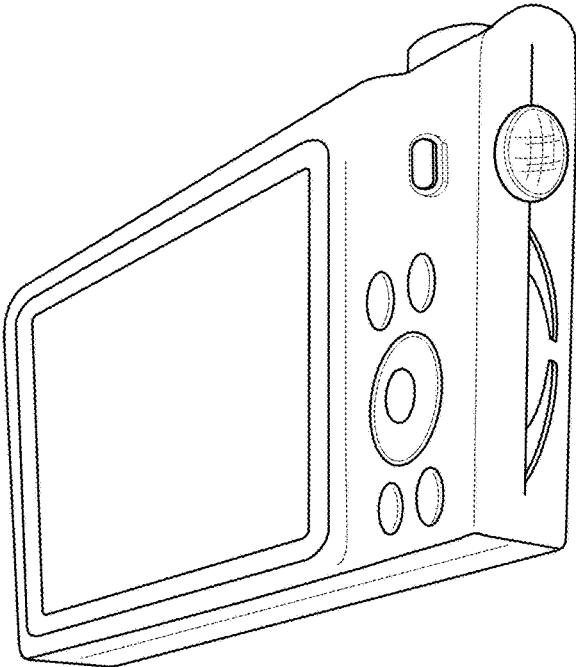


FIG. 6

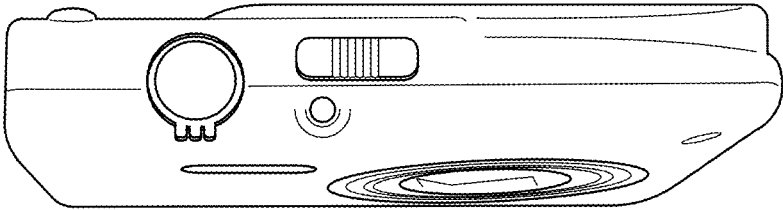


FIG. 7