



US00D823547S

(12) **United States Design Patent** (10) **Patent No.:** **US D823,547 S**
Rousseau et al. (45) **Date of Patent:** **** Jul. 17, 2018**

(54) **FIRE EXTINGUISHER**

(56) **References Cited**

(71) Applicants: **Hector Rousseau**, Riverside, CA (US);
Randy Rousseau, Riverside, CA (US);
Ryan H. Barrows, Eau Claire, WI
(US); **Justun C. Seymour**, Eau Claire,
WI (US)

(72) Inventors: **Hector Rousseau**, Riverside, CA (US);
Randy Rousseau, Riverside, CA (US);
Ryan H. Barrows, Eau Claire, WI
(US); **Justun C. Seymour**, Eau Claire,
WI (US)

(**) Term: **15 Years**

(21) Appl. No.: **29/579,973**

(22) Filed: **Oct. 4, 2016**

U.S. PATENT DOCUMENTS

D59,319 S	10/1921	Andrews
D121,011 S	3/1940	Grant, Jr.
D152,612 S	9/1947	Guise et al.
D152,645 S	2/1948	Nurkiewicz
D152,650 S	2/1949	Phister
D152,718 S	2/1949	Meyer
D152,812 S	2/1949	Mapes
D153,320 S	4/1949	Raskob et al.
D155,456 S	10/1949	Seaberg
D158,263 S	4/1950	Gordon
D164,346 S	8/1951	Allen
D169,641 S	5/1953	Schroeder, Jr.
D171,066 S	12/1953	Van Sciver
D172,373 S	6/1954	Wagner
D199,980 S	1/1965	Huthsing, Jr.
D202,341 S	9/1965	Rodgers
D203,979 S	3/1966	Brennan et al.
D207,260 S	3/1967	Jensen
D215,654 S	10/1969	Huthsing, Jr.
D228,900 S	10/1973	Hogg
D237,895 S	12/1975	Allen et al.

(Continued)

Primary Examiner — Randall H Gholson
(74) *Attorney, Agent, or Firm* — Kirk A. Buhler; Buhler
& Associates

(57) **CLAIM**

The ornamental design for a fire extinguisher, as shown and described.

DESCRIPTION

FIG. 1 is a front view for a fire extinguisher showing my new design of the invention;
FIG. 2 is a right side view thereof;
FIG. 3 is a rear side view thereof;
FIG. 4 is a left side view thereof;
FIG. 5 is a top side view thereof;
FIG. 6 is a bottom side view thereof; and,
FIG. 7 is a top right perspective view.

Related U.S. Application Data

(62) Division of application No. 29/526,021, filed on May 5, 2015, now Pat. No. Des. 777,991.

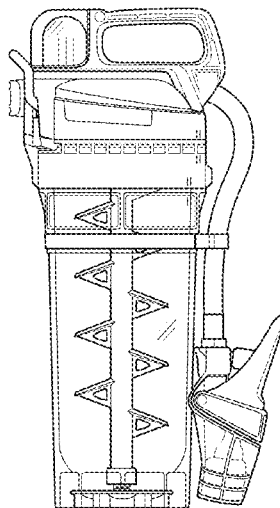
(51) **LOC (11) Cl.** **29-02**

(52) **U.S. Cl.**
USPC **D29/125**

(58) **Field of Classification Search**
USPC D23/355-369, 213, 214, 223, 224, 225,
D23/231; D28/5, 6; 261/DIG. 17,
261/DIG. 42, DIG. 65, DIG. 88, DIG. 89,
261/DIG. 47, DIG. 55, DIG. 70; 392/356,
392/390, 392, 394, 395; 239/34, 44, 53,
239/55, 56, 326, 60, 308, 589; D9/687,
D9/600, 695; D7/591; D29/125, 126,
D29/129, 130; 169/7, 89; 222/210, 324
CPC .. A62C 2/00; A62C 8/00; A62C 13/76; A62C
13/64

See application file for complete search history.

1 Claim, 7 Drawing Sheets



(56)

References Cited

U.S. PATENT DOCUMENTS

D244,392	S	5/1977	Montambo	
D250,353	S	11/1978	Avant	
4,899,826	A	2/1990	Penn	
D307,648	S	5/1990	Arrington	
D328,158	S	7/1992	Levy	
D328,368	S	7/1992	Levy	
D488,589	S	4/2004	Yang et al.	
7,128,163	B1	11/2006	Rousseau	
7,318,484	B2	1/2008	Rousseau	
7,650,948	B2	1/2010	Rousseau	
D643,092	S *	8/2011	Bandawat F24F 6/14 D23/202
D682,034	S *	5/2013	El-Saden D7/510
8,757,282	B2	6/2014	Rousseau	
8,820,423	B2	9/2014	Rousseau	

* cited by examiner

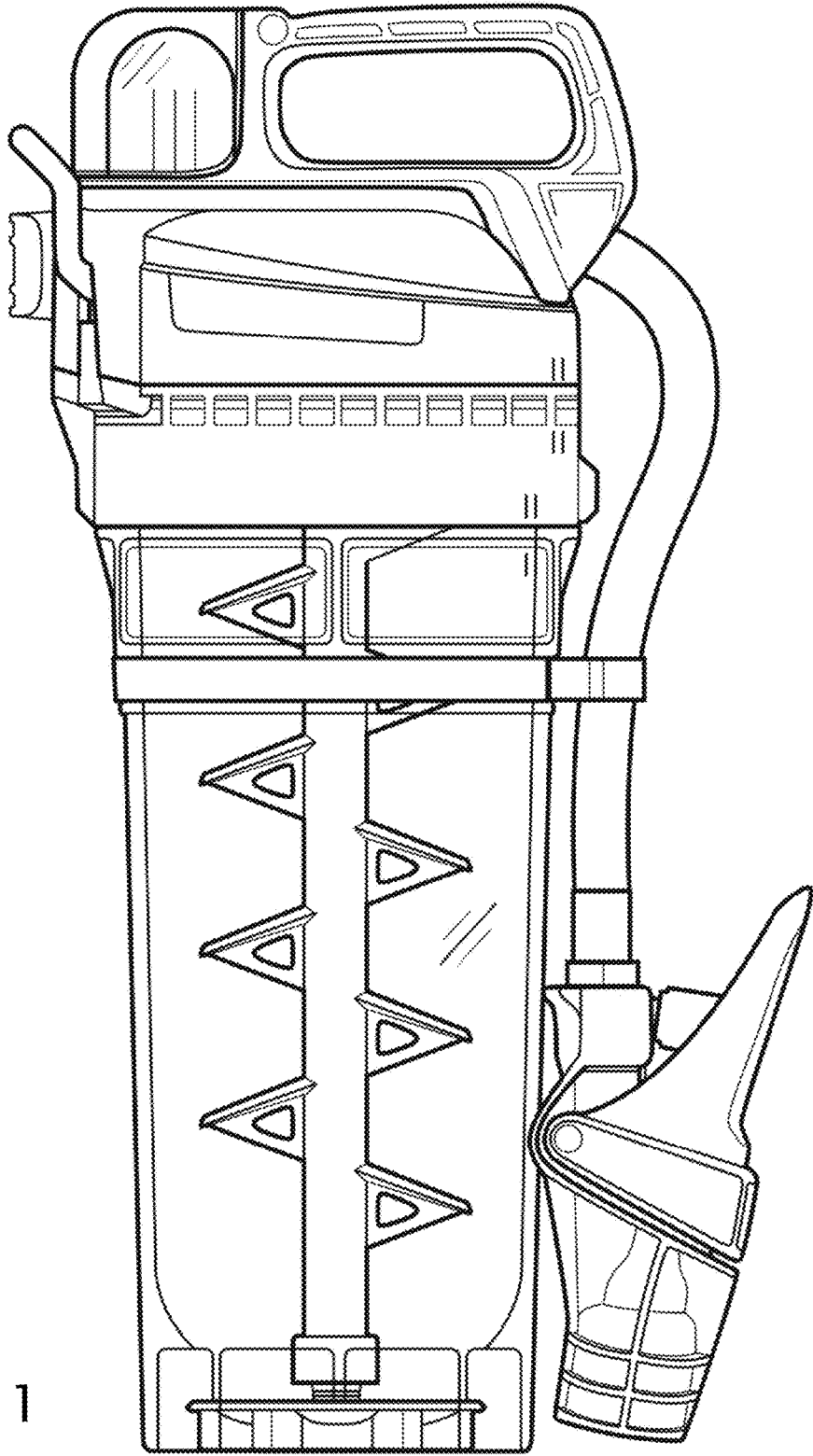


FIG. 1

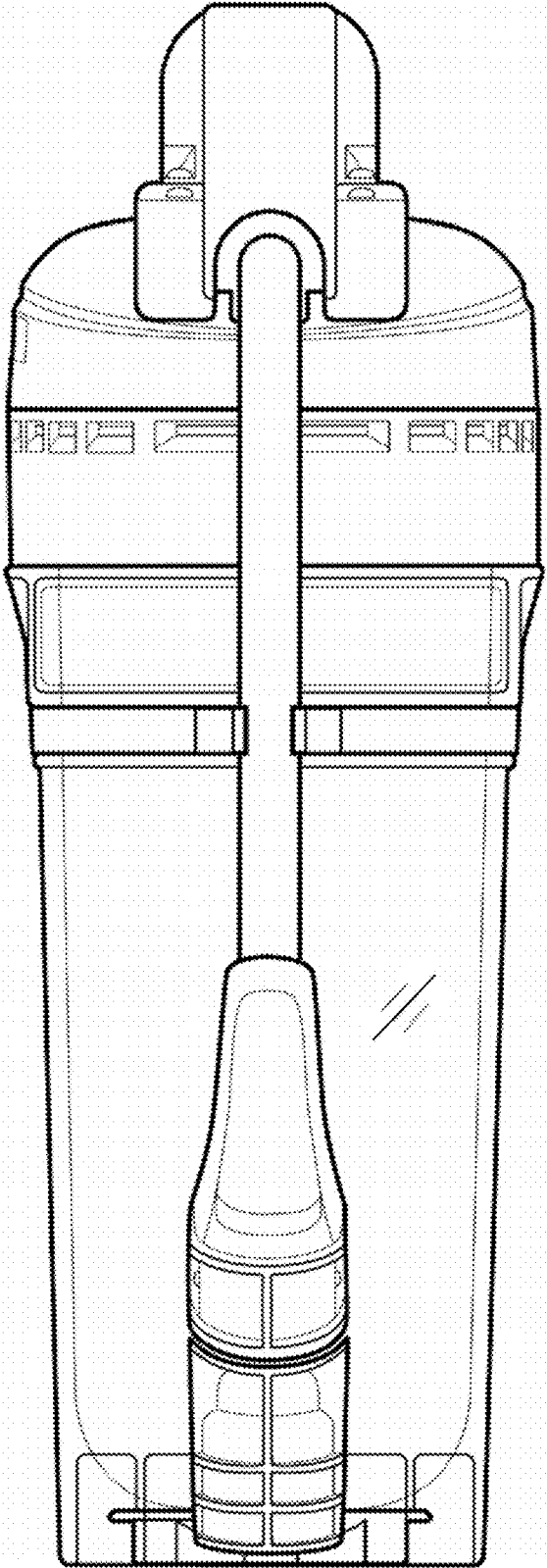


FIG. 2

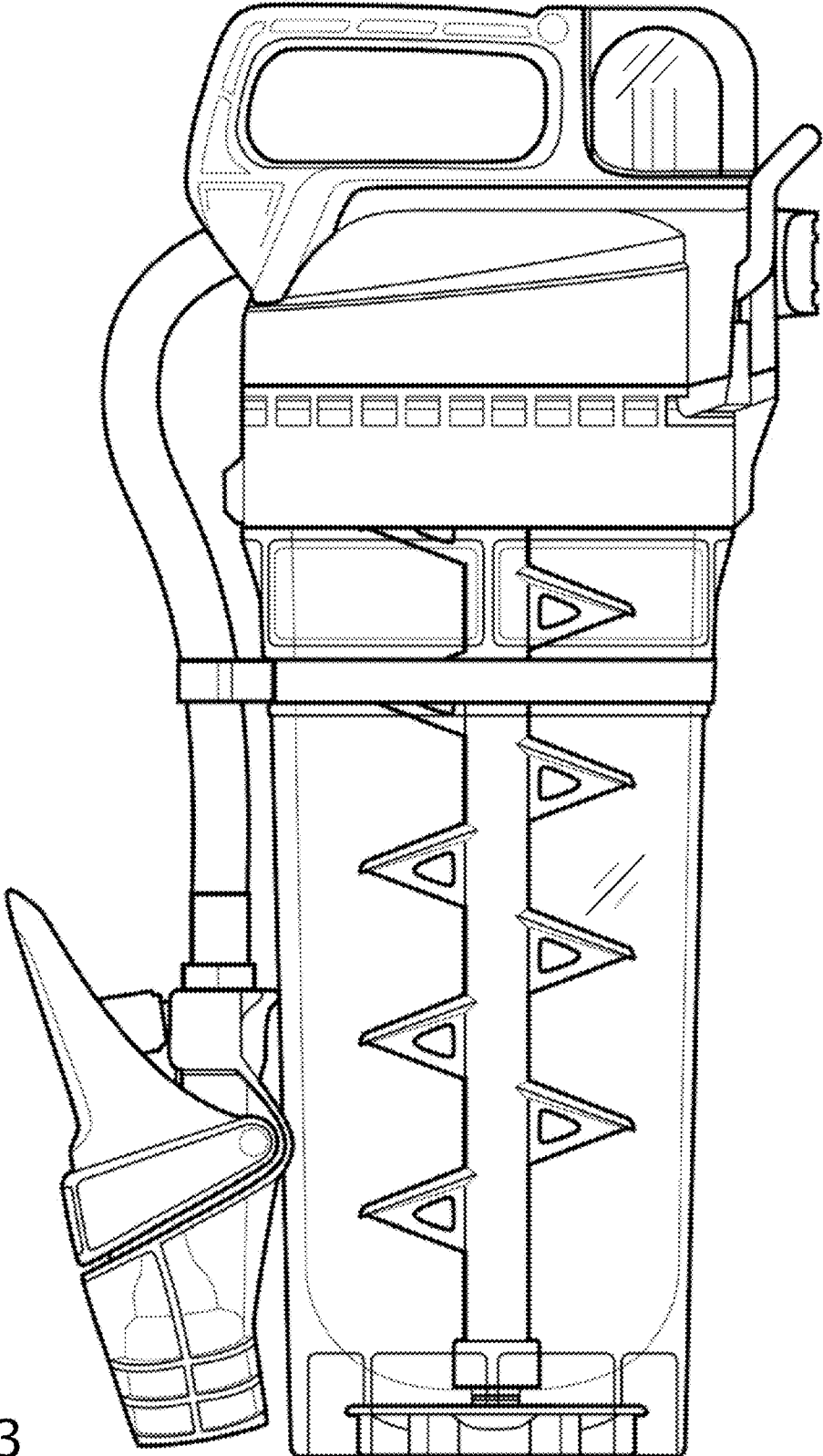


FIG. 3

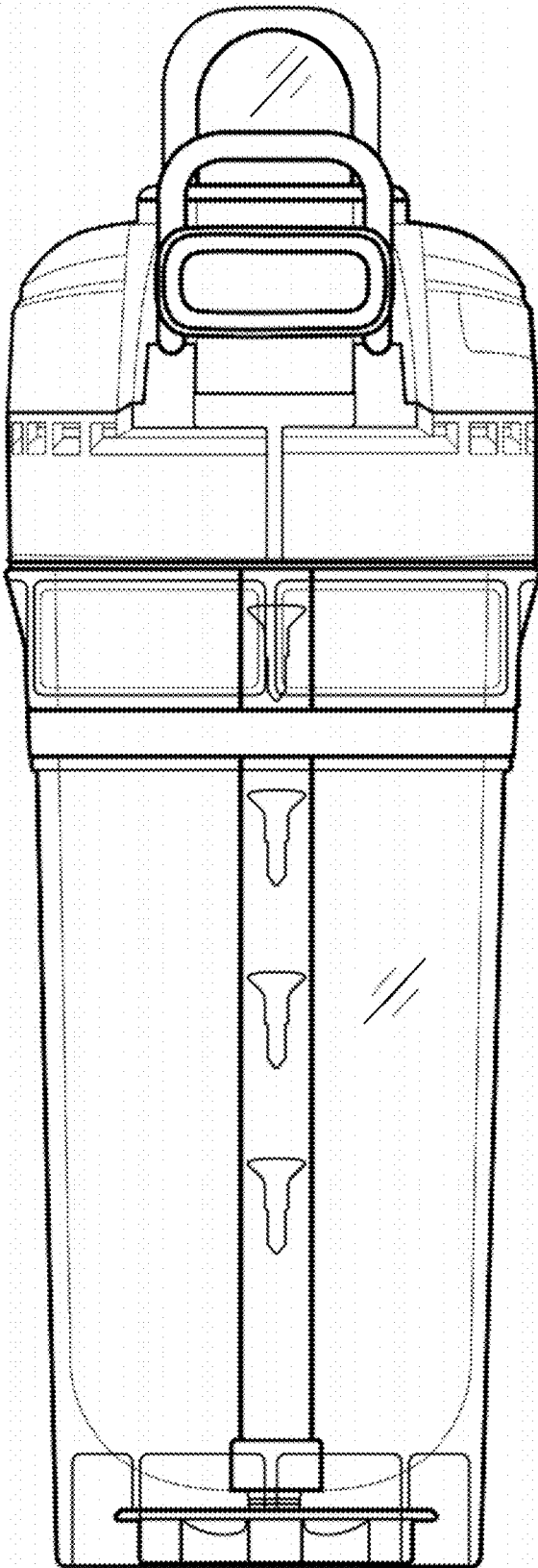


FIG. 4

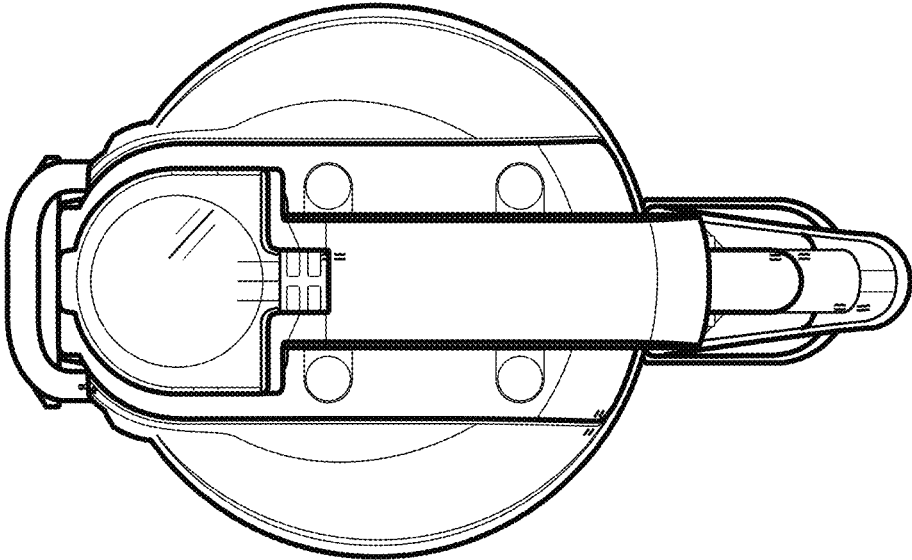


FIG. 5

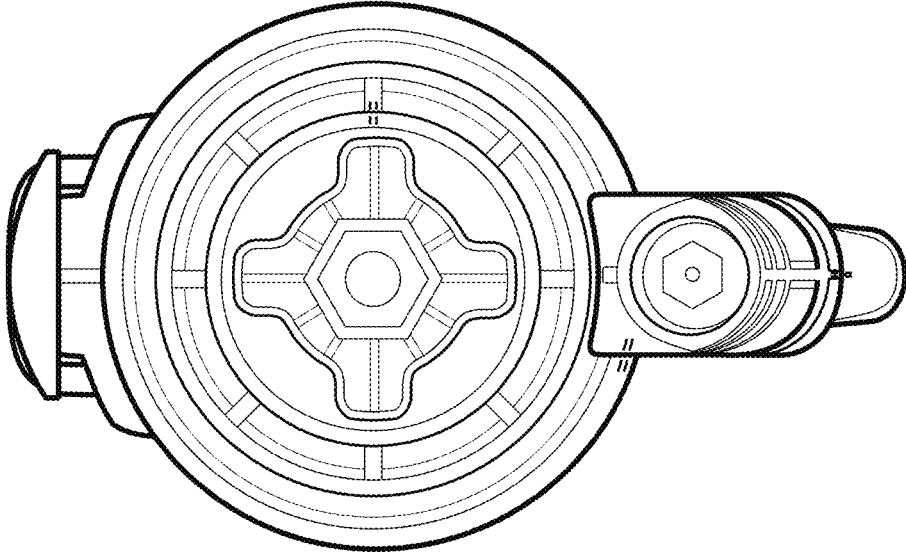


FIG. 6

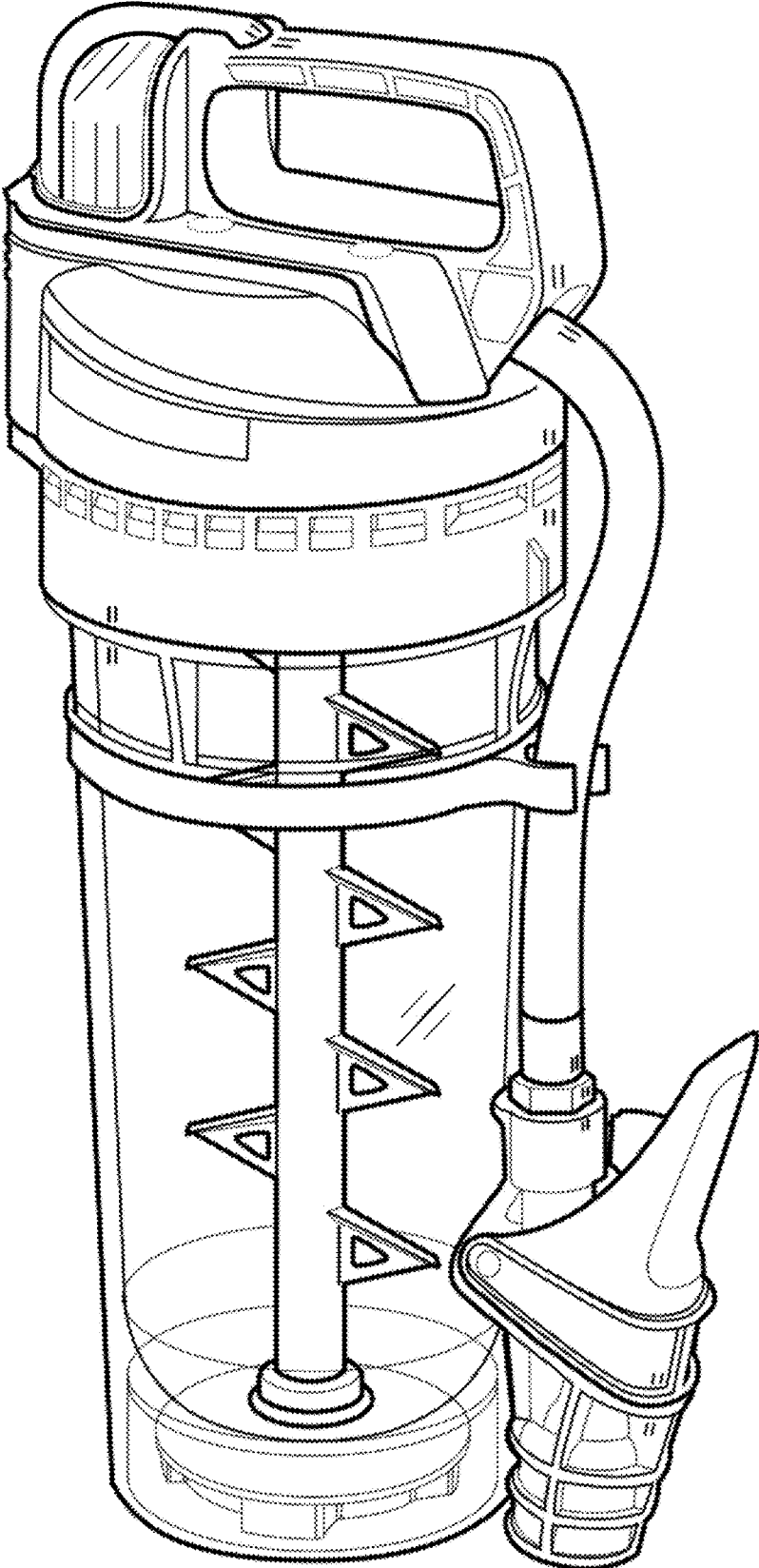


FIG. 7