



US00D817199S

(12) **United States Design Patent** (10) **Patent No.:** **US D817,199 S**
Farley et al. (45) **Date of Patent:** **** May 8, 2018**

(54) **TRACKING DEVICE** 2024/0068; A63B 2024/0078; A63B
2024/0056; A63B 2071/0625; A63B
(71) Applicant: **Tile, Inc.**, San Mateo, CA (US) 2071/003; A63B 2071/063; A63B
2071/065; A63B 2071/068; A63B
(72) Inventors: **Michael George Farley**, San Mateo, CA (US); **Mayank Kumar**, San
Francisco, CA (US); **Melody Quintana**,
San Carlos, CA (US); **Patrick
Donnelly**, San Mateo, CA (US); **David
Robert Dykes**, Los Altos Hills, CA
(US); **Valentin Jean Charles Marcel
Sollier**, San Francisco, CA (US); **Yves
Behar**, San Francisco, CA (US); **John
Mathew Depew**, Sunnyvale, CA (US)
2071/0675; A63B 2220/40; A63B
2220/803; A63B 2220/12; A63B 2220/20;
A63B 2220/22; A63B 2220/30; A63B
2225/50; A63B 2225/02; A63B 2225/06;
A63B 2230/75; A63B 2024/0065; A63B
2024/0081; A63B 2220/51; A63B
2220/62; A63B 2220/836; G09F 3/005;
G06F 1/163;
(Continued)

(73) Assignee: **Tile, Inc.**, San Mateo, CA (US)
(**) Term: **15 Years**
(21) Appl. No.: **29/605,066**
(22) Filed: **May 23, 2017**

Related U.S. Application Data

(63) Continuation of application No. 29/572,061, filed on
Jul. 25, 2016, now Pat. No. Des. 801,200.
(51) **LOC (11) Cl.** **10-04**
(52) **U.S. Cl.**
USPC **D10/70; D10/104.2; D10/106.92;**
D10/106.94
(58) **Field of Classification Search**
USPC ... D10/65, 70, 74, 80, 104.2, 106.9, 106.92,
D10/106.93, 106.94
CPC A41D 1/02; A44C 5/0015; A44C 5/02;
A44C 5/14; A61B 19/44; A61B
2019/446; A61B 71/00; A61B 5/02416;
A61B 5/1118; A61B 2/721; A61B 5/002;
A61B 5/112; A61B 5/1122; A61B 5/746;
A61B 5/6823; A61B 5/72; A61B 5/7445;
A61B 5/0022; A61B 5/14532; A63B
71/06; A63B 26/00; A63B 24/0075; A63B
2071/0663; A63B 71/0686; A63B
24/0062; A63B 24/0084; A63B

(56) **References Cited**
U.S. PATENT DOCUMENTS
D778,746 S 2/2017 Renganathan
9,564,774 B2 2/2017 Daoura et al.
(Continued)

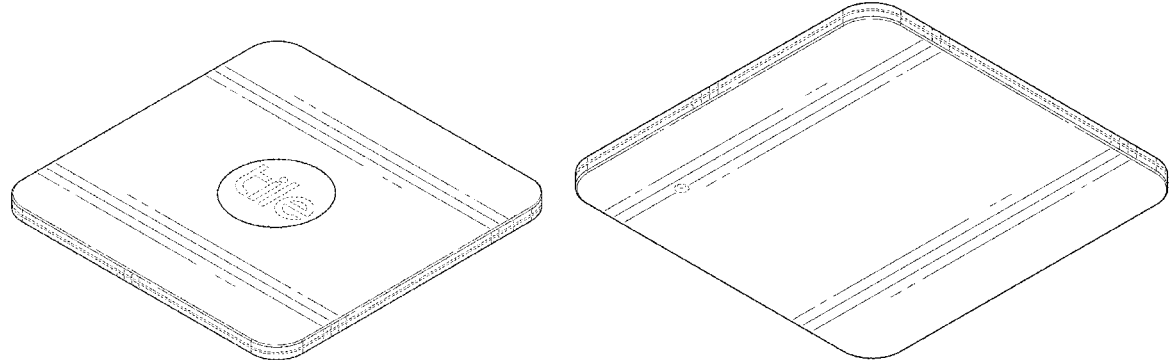
Primary Examiner — Antoine Duval Davis
(74) *Attorney, Agent, or Firm* — Fenwick & West LLP

(57) **CLAIM**
The ornamental design for a tracking device, as shown and
described.

DESCRIPTION

FIG. 1 is a top perspective view of a tracking device;
FIG. 2 is a bottom perspective view thereof;
FIG. 3 is a front elevational view thereof;
FIG. 4 is a rear elevational view thereof;
FIG. 5 is a left side elevational view thereof;
FIG. 6 is a right side elevational view thereof;
FIG. 7 is a top plan view thereof; and,
FIG. 8 is a bottom plan view thereof.
The broken lines in the drawings showing portions of the
tracking device are included for the purpose of illustrating
environmental structure and form no part of the claimed
design.

1 Claim, 8 Drawing Sheets



(58) **Field of Classification Search**

CPC G06F 3/038; G06F 3/03547; G04G 17/00;
G04G 17/08; G04G 17/04; G04G 21/02;
G04G 21/00; G04G 21/08; G06Q 10/00;
G06Q 50/00; G09B 9/00; G09B 19/00;
G04F 10/00; G04B 37/1486

See application file for complete search history.

(56) **References Cited**

U.S. PATENT DOCUMENTS

9,629,574 B2 4/2017 Lee
D804,971 S * 12/2017 Heikkila D10/70

* cited by examiner

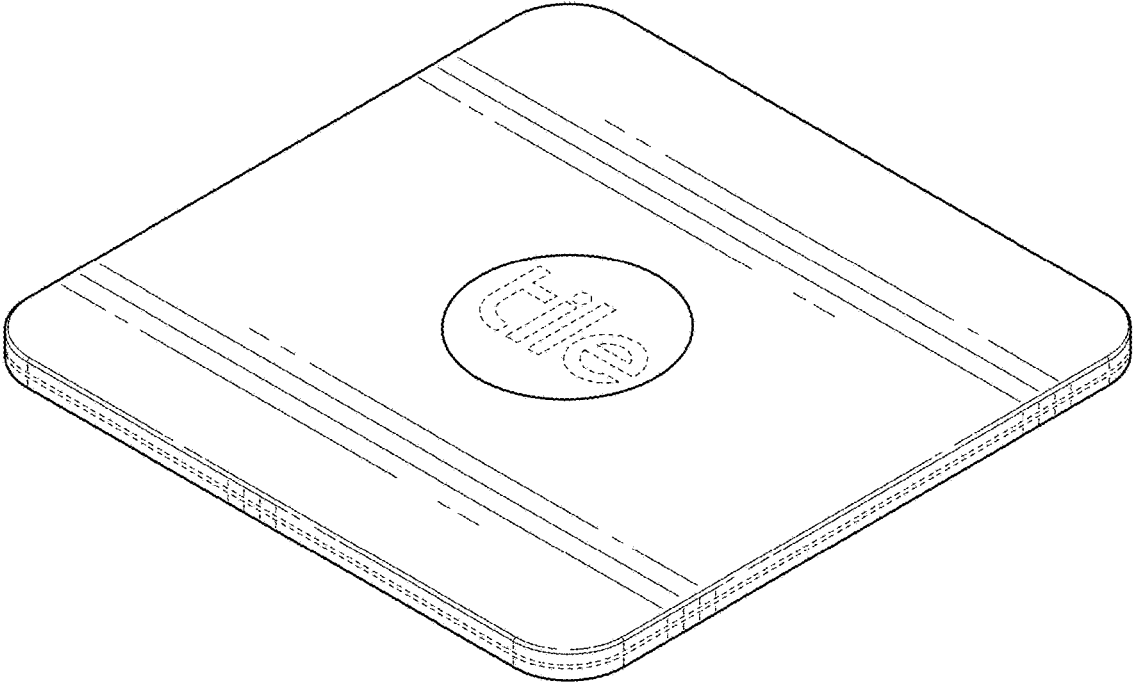


FIG. 1

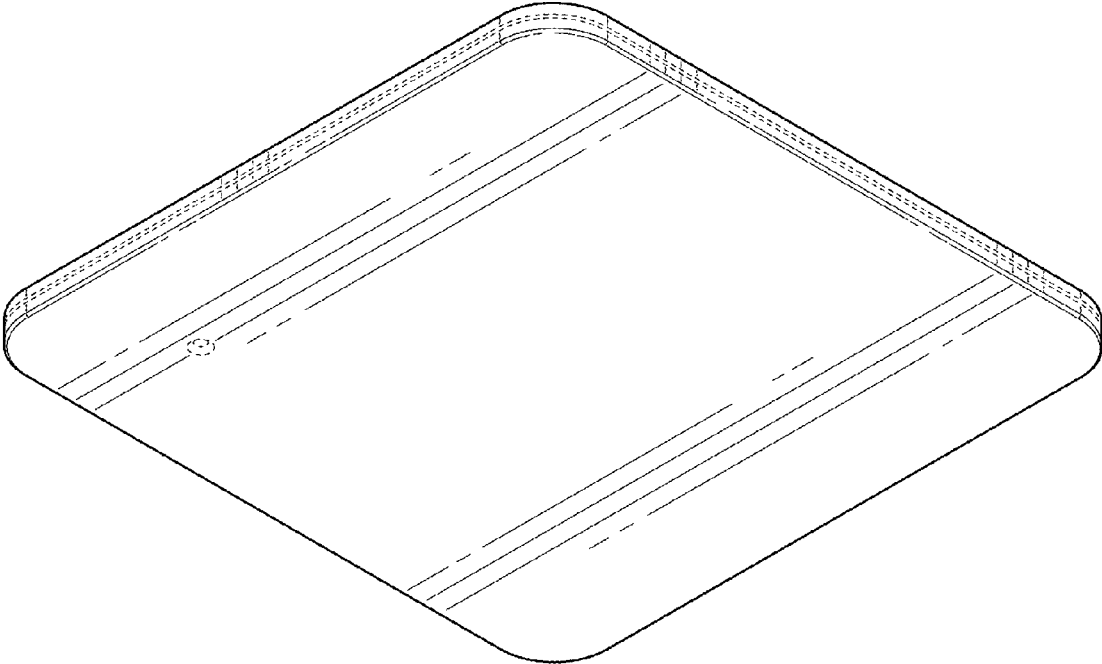


FIG. 2

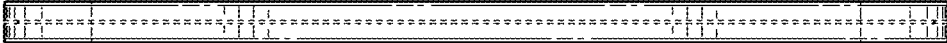


FIG. 3



FIG. 4

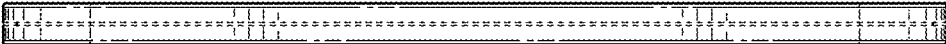


FIG. 5



FIG. 6

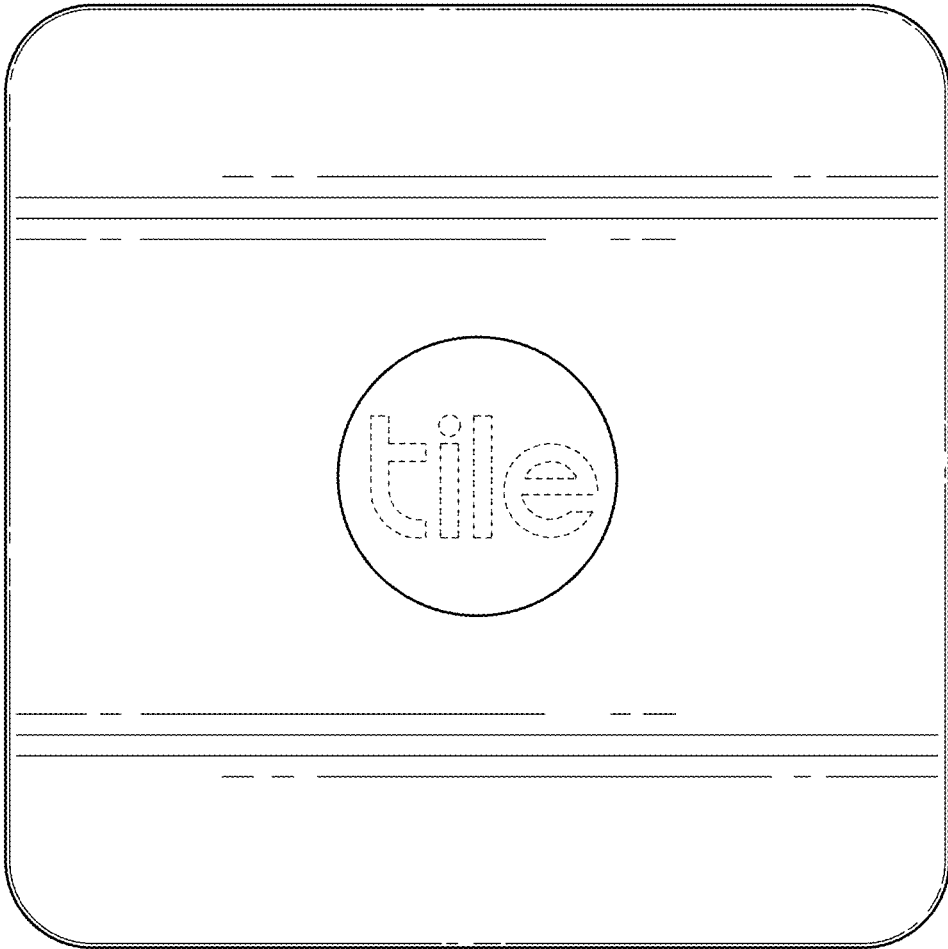


FIG. 7

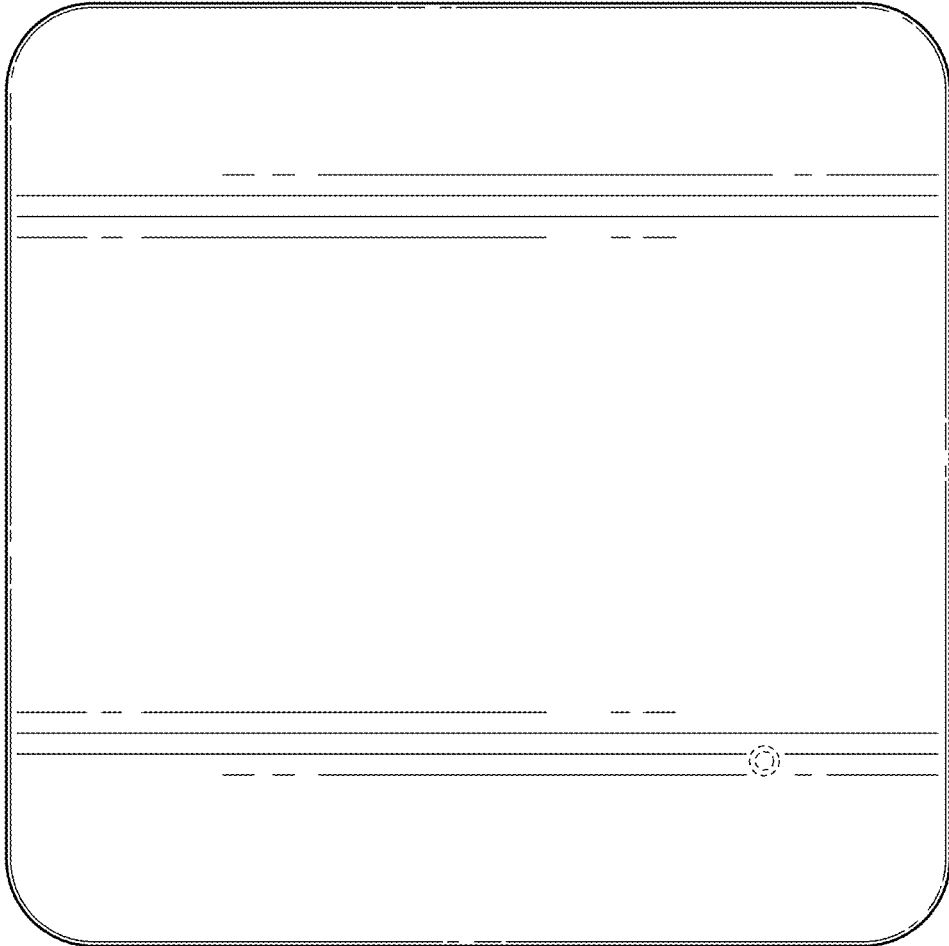


FIG. 8