



US00D817198S

(12) **United States Design Patent** (10) **Patent No.:** **US D817,198 S**
Farley et al. (45) **Date of Patent:** **** May 8, 2018**

(54) **TRACKING DEVICE**

(71) Applicant: **Tile, Inc.**, San Mateo, CA (US)

(72) Inventors: **Michael George Farley**, San Mateo, CA (US); **Mayank Kumar**, San Francisco, CA (US); **Melody Quintana**, San Carlos, CA (US); **Patrick Donnelly**, San Mateo, CA (US); **David Robert Dykes**, Los Altos Hills, CA (US); **Valentin Jean Charles Marcel Sollier**, San Francisco, CA (US); **Yves Behar**, San Francisco, CA (US); **John Mathew Depew**, Sunnyvale, CA (US)

2024/0056; A63B 2071/0625; A63B 2071/003; A63B 2071/063; A63B 2071/065; A63B 2071/068; A63B 2071/0675; A63B 2220/40; A63B 2220/803; A63B 2220/12; A63B 2220/20; A63B 2220/22; A63B 2220/30; A63B 2225/50; A63B 2225/02; A63B 2225/06; A63B 2230/75; A63B 2024/0065; A63B 2024/0081; A63B 2220/51; A63B 2220/62; A63B 2220/836; G09F 3/005; G06F 1/163; G06F 3/038; G06F 3/03547; G04G 17/00;

(Continued)

(73) Assignee: **Tile, Inc.**, San Mateo, CA (US)

(**) Term: **15 Years**

(21) Appl. No.: **29/605,057**

(22) Filed: **May 23, 2017**

Related U.S. Application Data

(63) Continuation of application No. 29/576,878, filed on Sep. 7, 2016, now Pat. No. Des. 790,996.

(51) **LOC (11) Cl.** **10-04**

(52) **U.S. Cl.**
USPC **D10/70**; D10/104.2; D10/106.92; D10/106.94

(58) **Field of Classification Search**
USPC ... D10/65, 70, 74, 80, 104.2, 106.9, 106.92, D10/106.93, 106.94
CPC A41D 1/02; A44C 5/0015; A44C 5/02; A44C 5/14; A61B 19/44; A61B 2019/446; A61B 71/00; A61B 5/02416; A61B 5/1118; A61B 2/721; A61B 5/002; A61B 5/112; A61B 5/1122; A61B 5/746; A61B 5/6823; A61B 5/72; A61B 5/7445; A61B 5/0022; A61B 5/14532; A63B 71/06; A63B 26/00; A63B 24/0075; A63B 2071/0663; A63B 71/0686; A63B 24/0062; A63B 24/0084; A63B 2024/0068; A63B 2024/0078; A63B

(56) **References Cited**

U.S. PATENT DOCUMENTS

D804,971 S * 12/2017 Heikkila D10/70

* cited by examiner

Primary Examiner — Antoine Duval Davis

(74) *Attorney, Agent, or Firm* — Fenwick & West LLP

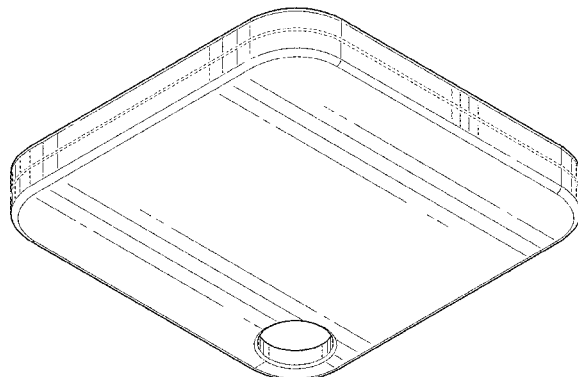
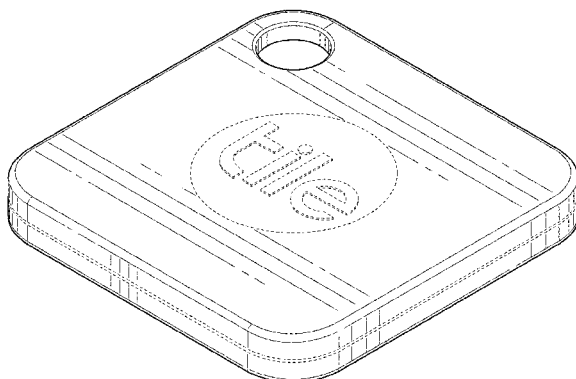
(57) **CLAIM**

The ornamental design for a tracking device, as shown and described.

DESCRIPTION

FIG. 1 is a top, front, and right side perspective view of a tracking device;
FIG. 2 is a bottom, front, and right side perspective view thereof;
FIG. 3 is a top plan view thereof;
FIG. 4 is a bottom plan view thereof;
FIG. 5 is a left side elevational view thereof;
FIG. 6 is a right side elevational view thereof;
FIG. 7 is a front elevational view thereof; and,
FIG. 8 is a rear elevational view thereof.

(Continued)



The broken lines in the drawings showing portions of the tracking device are included for the purpose of illustrating environmental structure and form no part of the claimed design.

1 Claim, 8 Drawing Sheets

(58) **Field of Classification Search**

CPC G04G 17/08; G04G 17/04; G04G 21/02;
G04G 21/00; G04G 21/08; G04B
37/1486; G06Q 10/00; G06Q 50/00;
G09B 9/00; G09B 19/00; G04F 10/00

See application file for complete search history.

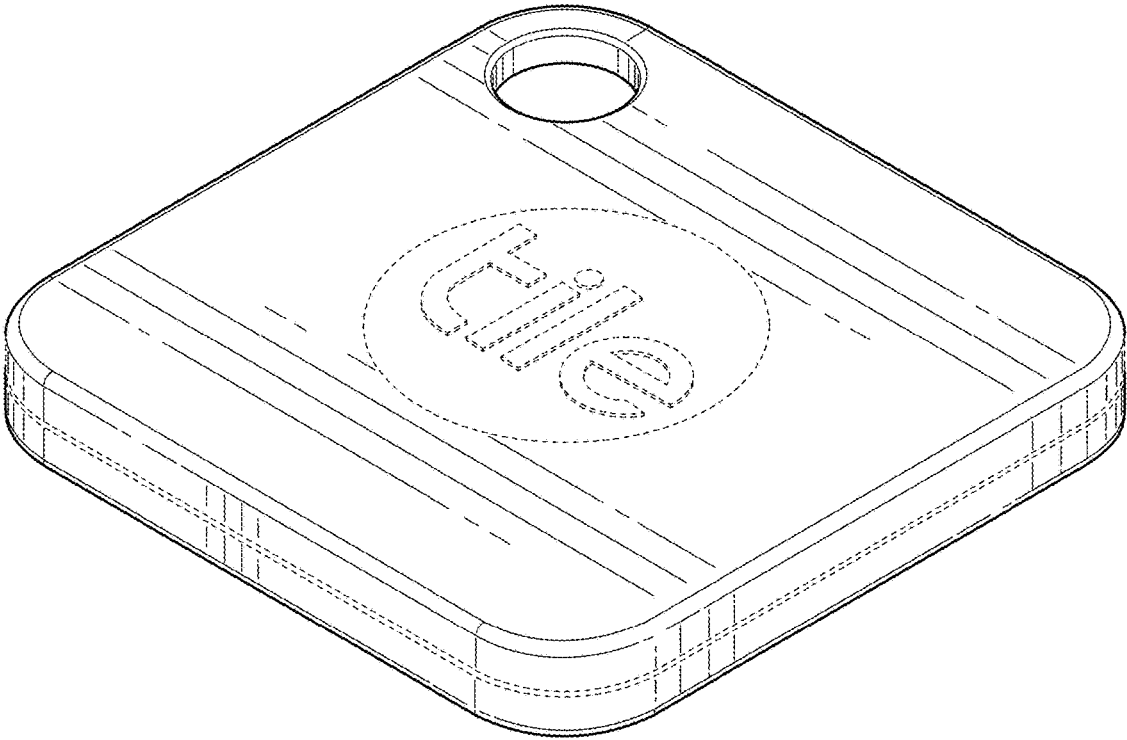


FIG. 1

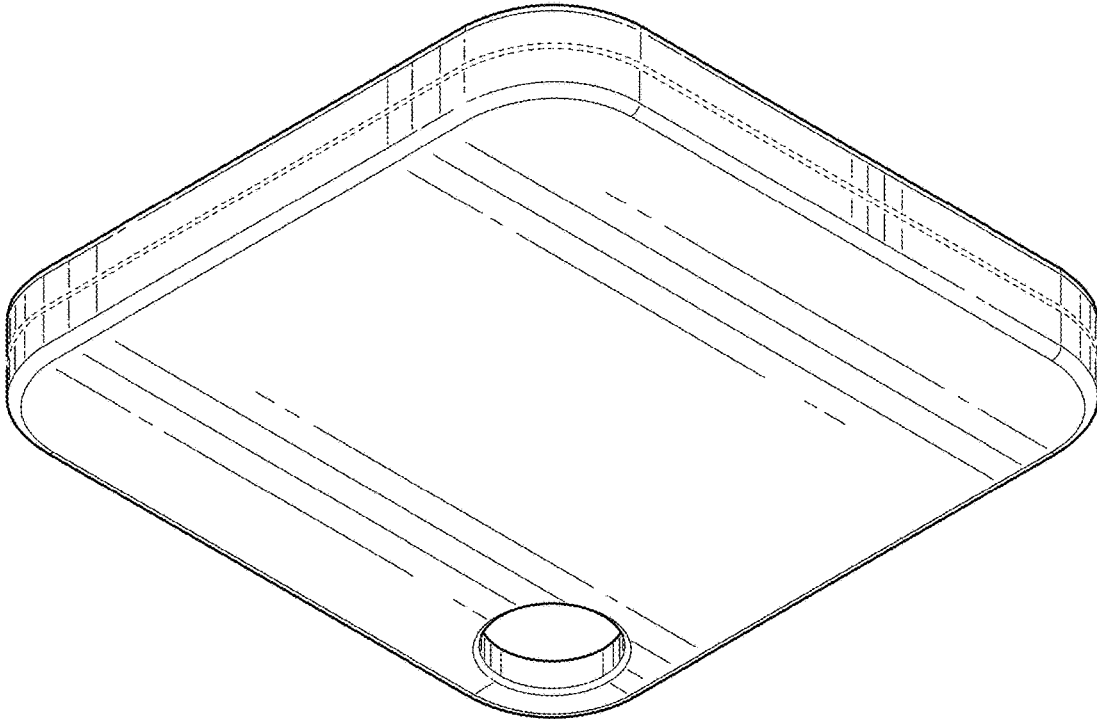


FIG. 2

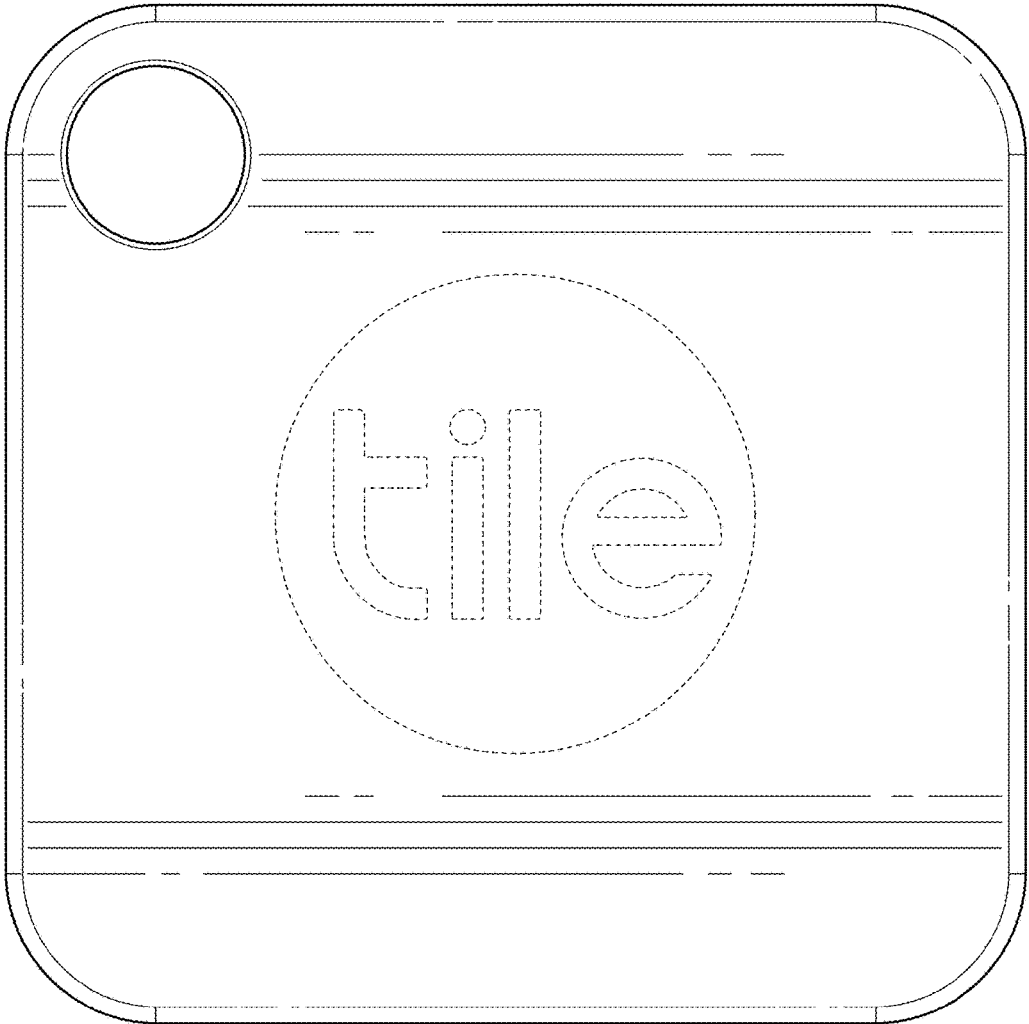


FIG. 3

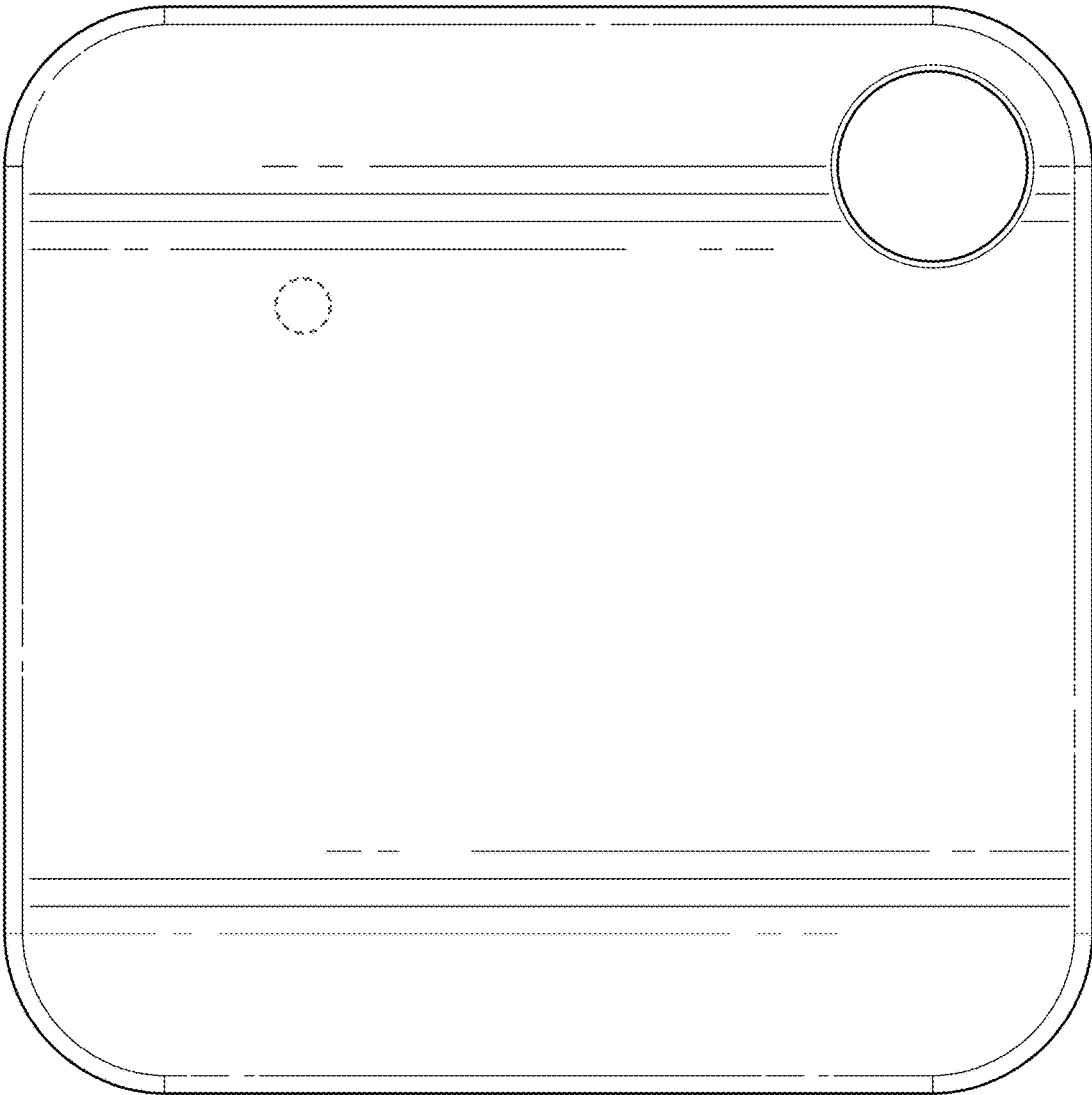


FIG. 4

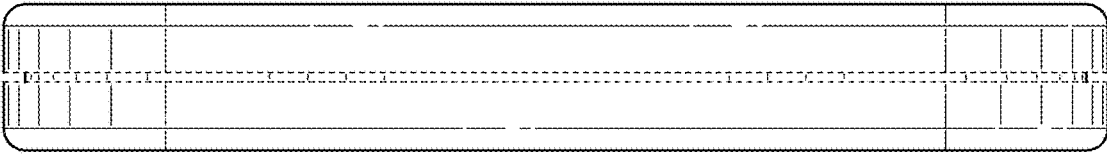


FIG. 5

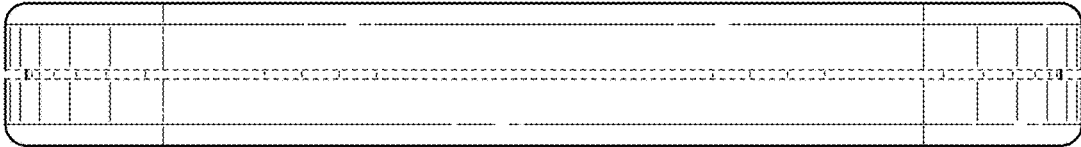


FIG. 6

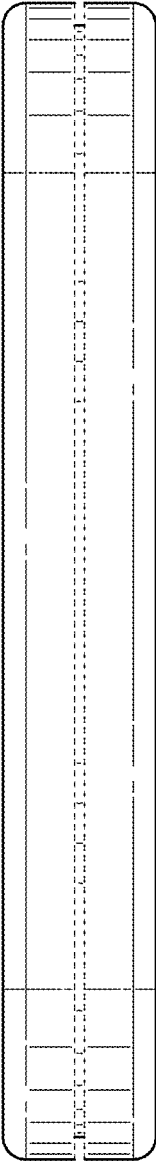


FIG. 7

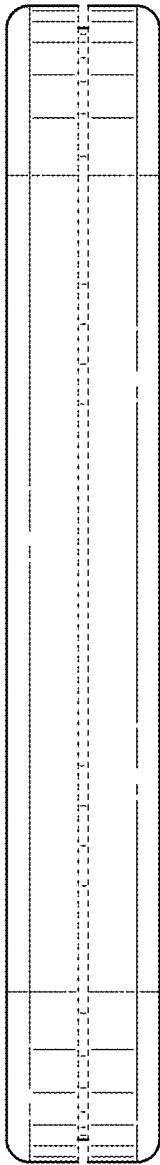


FIG. 8