



(12) **United States Design Patent**
Xu et al.

(10) **Patent No.:** **US D817,100 S**
(45) **Date of Patent:** **** May 8, 2018**

(54) **CUP**
(71) Applicant: **SHENZHEN ROYOLE TECHNOLOGIES CO. LTD.,**
Shenzhen (CN)
(72) Inventors: **Rui Xu, Shenzhen (CN); Xinyuan Xia,**
Shenzhen (CN); **Chao Jiang, Shenzhen**
(CN)
(73) Assignee: **SHENZHEN ROYOLE TECHNOLOGIES CO. LTD.,**
Shenzhen (CN)
(**) Term: **15 Years**
(21) Appl. No.: **29/568,166**
(22) Filed: **Jun. 15, 2016**

(30) **Foreign Application Priority Data**

Dec. 16, 2015 (CN) 2015 3 0536438

(51) **LOC (11) Cl.** **07-01**

(52) **U.S. Cl.**
USPC **D7/532; D7/509**

(58) **Field of Classification Search**
USPC D7/507, 509, 510, 511, 523, 529, 530,
D7/608, 536, 532; D9/500, 502, 503,
D9/504, 517, 530, 538, 539, 540, 541,
D9/544, 545, 547, 548, 552, 569, 453,
D9/452; 220/592.16, 592.17; 215/381,
215/382

CPC A47G 19/22; A47G 19/2205; A47G
19/2211; A47G 19/2266; A47G 19/2272;
A45F 3/16; B65D 41/04

See application file for complete search history.

(56) **References Cited**

U.S. PATENT DOCUMENTS

D31,230 S * 7/1899 Hogan D7/509
D271,050 S * 10/1983 Berkman D28/77

D289,722 S * 5/1987 Neiser D7/603
D299,688 S * 2/1989 Chung D7/536
D305,193 S * 12/1989 Sajadieh D7/509
D324,332 S * 3/1992 Seifert D9/520
D330,512 S * 10/1992 Ryberg D9/414
D360,583 S * 7/1995 Paping D9/414
D365,499 S * 12/1995 Welker D7/509
D441,160 S * 4/2001 Lin D34/7
D451,027 S * 11/2001 Dugrot D9/500
D462,997 S * 9/2002 Slater D19/77
D538,483 S * 3/2007 Bakic D28/89
D540,620 S * 4/2007 Bushkovsky D7/509
D543,790 S * 6/2007 Szymanski D7/607
D549,313 S * 8/2007 Kelnhofer D23/360
D611,301 S * 3/2010 Amano D7/509
D621,223 S * 8/2010 Bas D7/603
D649,021 S * 11/2011 Jariwala D8/367
D662,785 S * 7/2012 Kern D32/55
D691,889 S * 10/2013 Mettler D9/454
D697,510 S * 1/2014 Sato D14/420

(Continued)

Primary Examiner — Marianne Pandozzi

Assistant Examiner — Jae Liang

(74) *Attorney, Agent, or Firm* — Hauptman Ham, LLP

(57) **CLAIM**

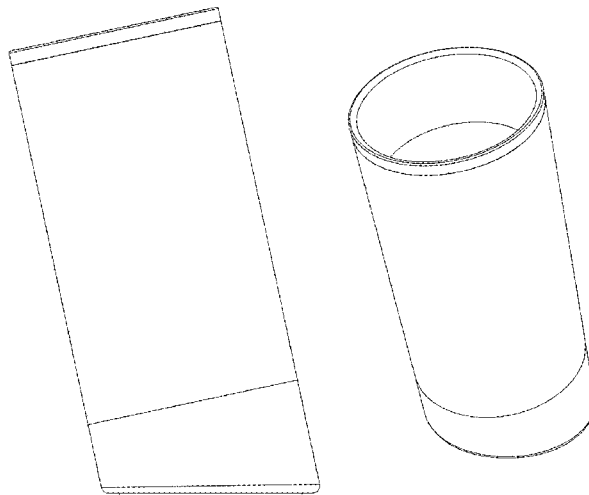
The ornamental design for a cup, as shown and described.

DESCRIPTION

FIG. 1 is a front view of a cup showing my new design;
FIG. 2 is a rear view thereof;
FIG. 3 is a left side view thereof;
FIG. 4 is a right side view thereof;
FIG. 5 is a top view thereof;
FIG. 6 is a bottom view thereof; and,
FIG. 7 is a perspective view thereof.

The broken lines in the drawings depict portions of the cup that form no part of the claimed design.

1 Claim, 7 Drawing Sheets



(56)

References Cited

U.S. PATENT DOCUMENTS

D728,371	S	*	5/2015	Behar	D9/454
D753,445	S	*	4/2016	Khalifa	D7/615
D761,057	S	*	7/2016	McClendon, Jr.	D7/300.2
D779,124	S	*	2/2017	Houyoux	D28/91.1
D786,088	S	*	5/2017	Wilson	D9/688
2014/0284343	A1	*	9/2014	Allen	A47G 19/2222 220/710

* cited by examiner

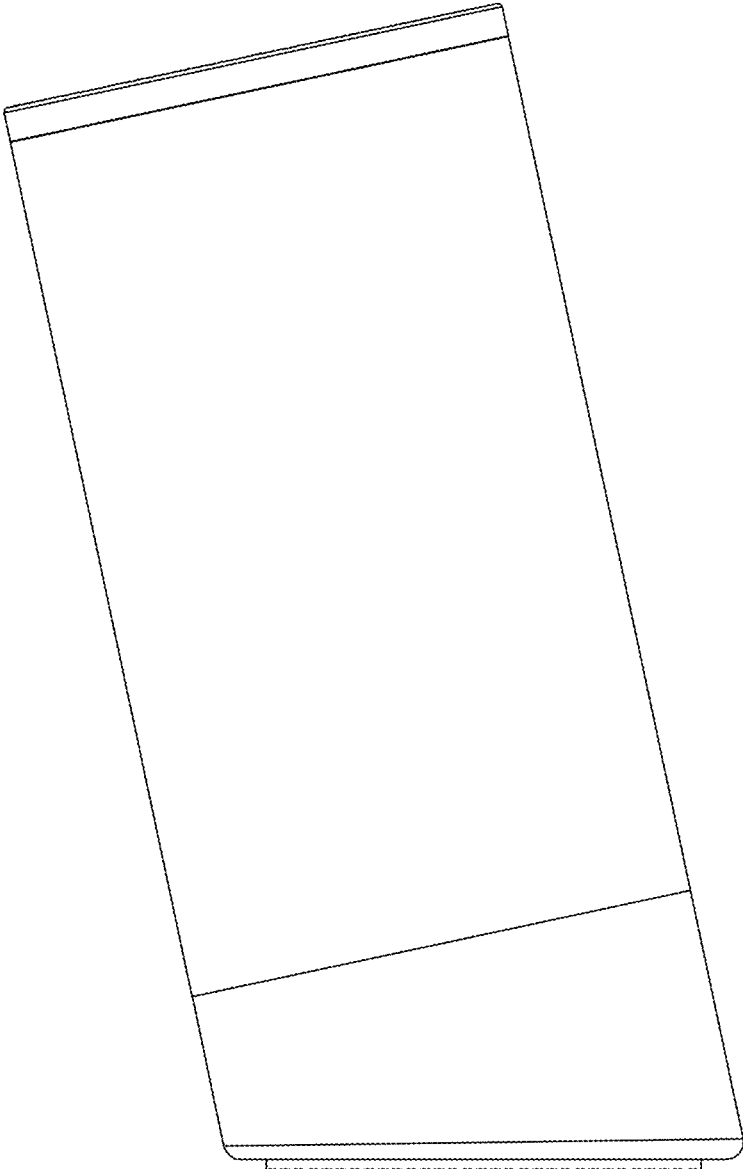


FIG.1

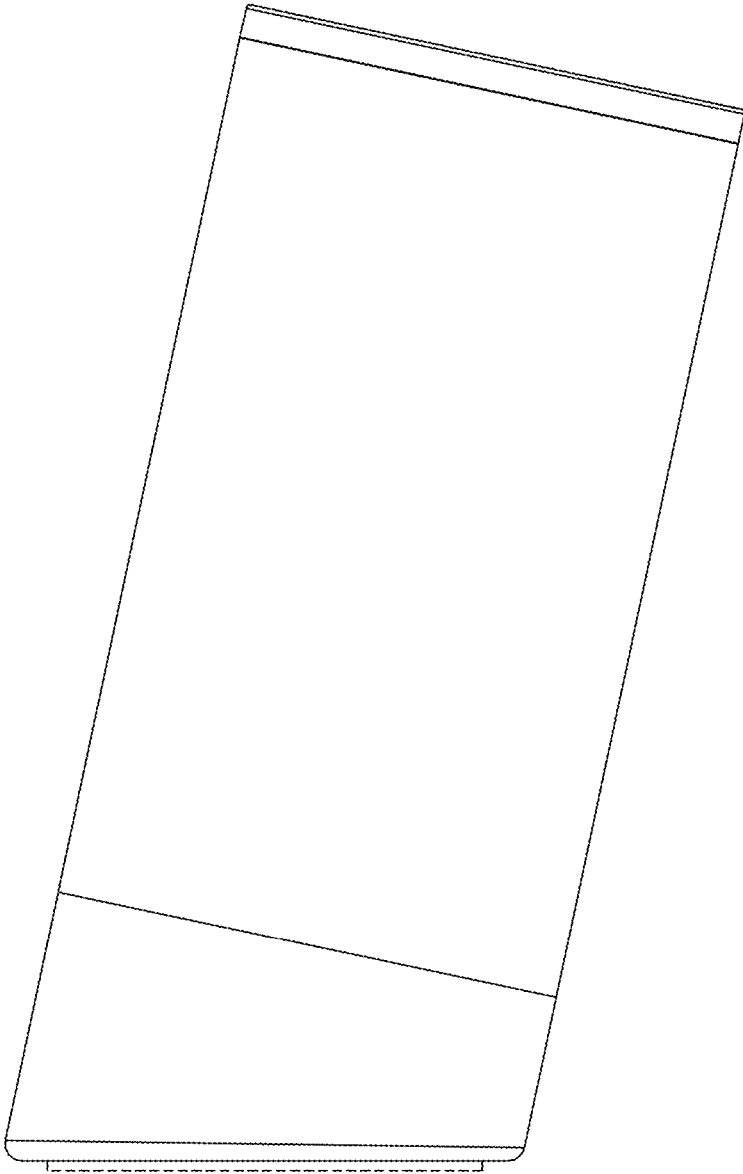


FIG.2

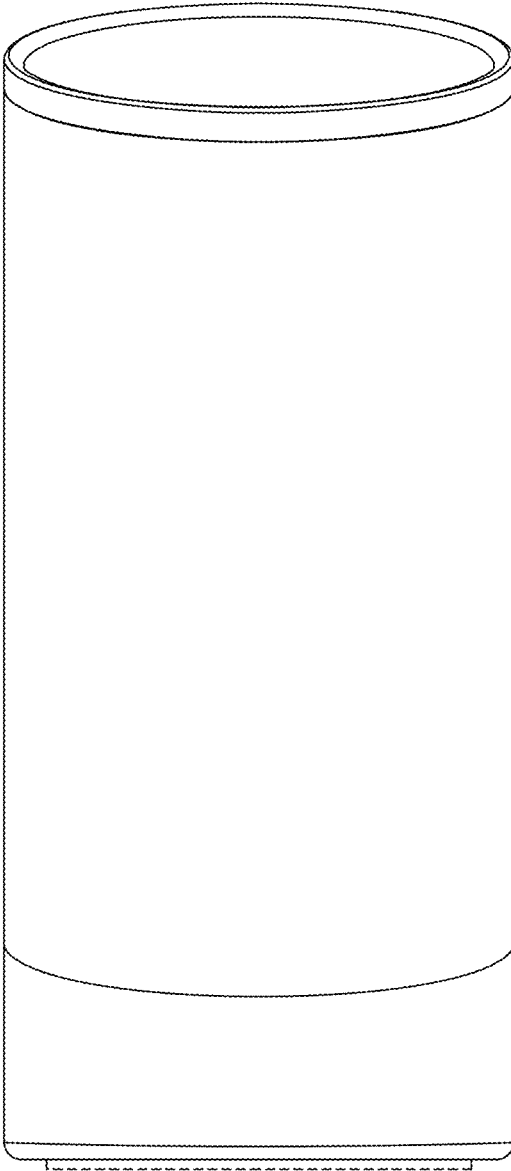


FIG.3

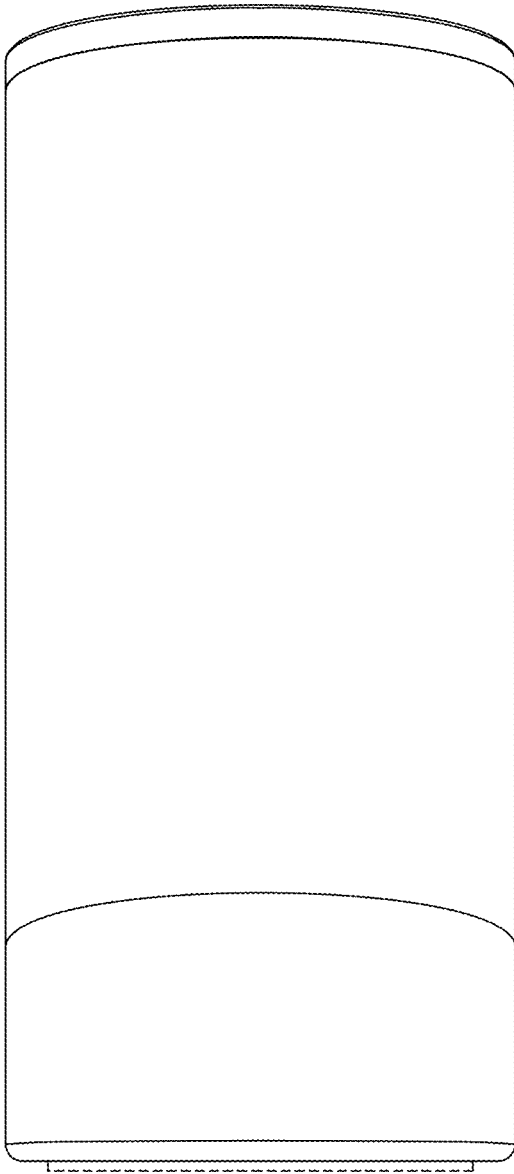


FIG.4

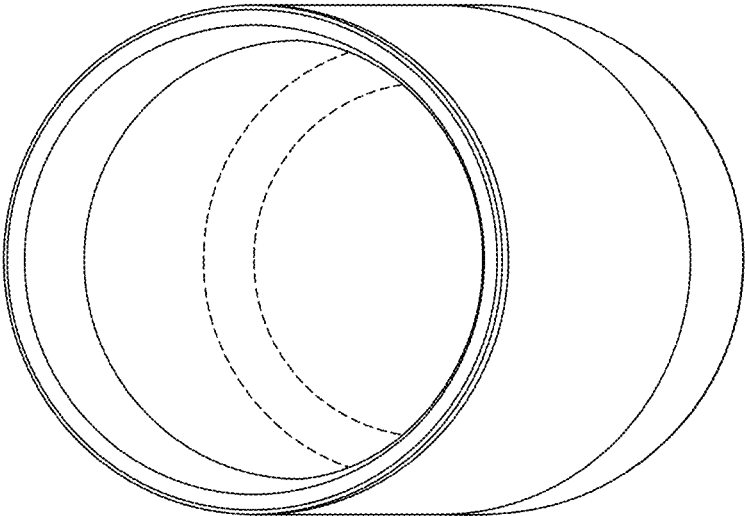


FIG.5

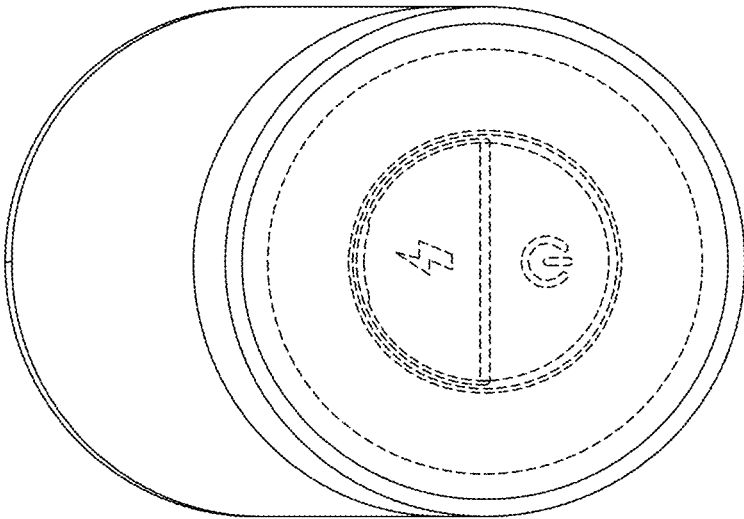


FIG.6

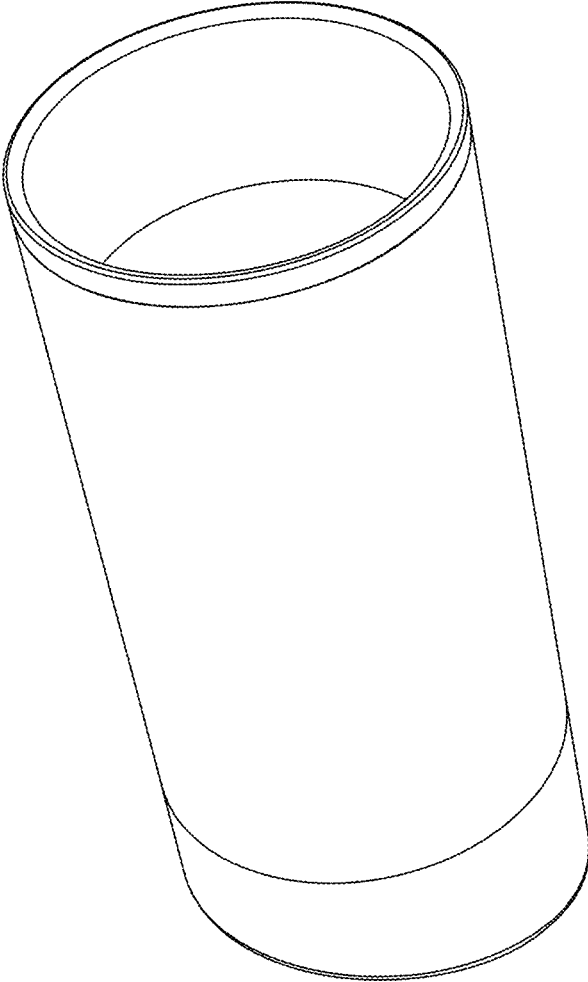


FIG.7