



US00D816382S

(12) **United States Design Patent**
Ammon

(10) **Patent No.:** **US D816,382 S**

(45) **Date of Patent:** **** May 1, 2018**

(54) **BEVERAGE DISPENSER**

(71) Applicant: **Societe des Produits Nestlé S.A.**,
Vevey (CH)

(72) Inventor: **Patrick Ammon**, La Chaux-de-Fonds
(CH)

(73) Assignee: **Société des Produits Nestlé S.A.**,
Vevey (CH)

(**) Term: **15 Years**

(21) Appl. No.: **29/572,242**

(22) Filed: **Jul. 26, 2016**

(30) **Foreign Application Priority Data**

Feb. 2, 2016 (CH) 142066

(51) **LOC (11) Cl.** **07-01**

(52) **U.S. Cl.**
USPC **D7/306; D7/311**

(58) **Field of Classification Search**
USPC D7/306-311, 305, 300, 313, 399, 398,
D7/397; 99/279, 284, 290, 280, 299,
99/307, 305, 295, 308, 309, 323.1, 395,
99/300; 222/23, 129.1; 62/395; D20/1;
D23/207, 209; D15/89

CPC A47J 31/44; A47J 31/00; B67D 1/0041;
B67D 3/00

See application file for complete search history.

(56) **References Cited**

U.S. PATENT DOCUMENTS

D300,105 S * 3/1989 Klein D7/300
D562,050 S * 2/2008 Alferink D7/306

D563,712 S * 3/2008 Alferink D7/306
D623,463 S * 9/2010 Struzka D7/306
D656,772 S * 4/2012 Regamey D7/306
D704,495 S * 5/2014 Carden D7/309
D724,884 S * 3/2015 Struzka D7/306
D755,555 S * 5/2016 Struzka D7/306

* cited by examiner

Primary Examiner — Marianne Pandozzi

(74) *Attorney, Agent, or Firm* — Finnegan, Henderson,
Farabow, Garrett & Dunner LLP

(57) **CLAIM**

The ornamental design for a beverage dispenser, as shown
and described.

DESCRIPTION

FIG. 1 is a front, top perspective view of a beverage
dispenser showing my new design in a closed configuration;
FIG. 2 is a front elevation view of the new design in the
closed configuration;

FIG. 3 is a rear elevation view of the new design in the
closed configuration;

FIG. 4 is a left side view of the new design in the closed
configuration;

FIG. 5 is a right side view of the new design in the closed
configuration;

FIG. 6 is a top plan view of the new design in the closed
configuration;

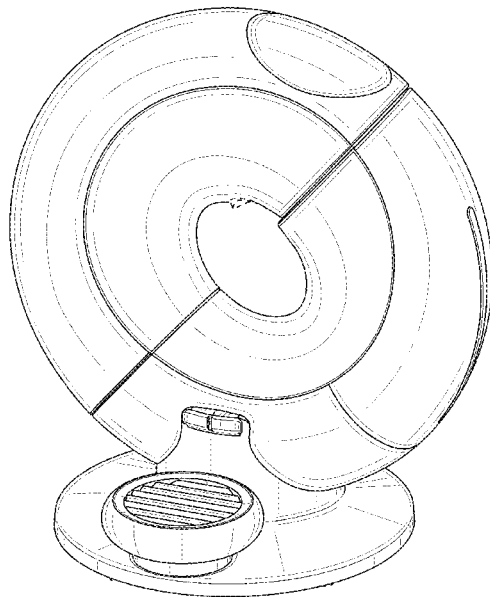
FIG. 7 is a bottom view of the new design in the closed
configuration;

FIG. 8 is a front, top perspective view of the new design in
an open configuration; and,

FIG. 9 is a right side view of the new design in the open
configuration.

The broken lines in the drawing depict portions of the
beverage dispenser that form no part of the claimed design.

1 Claim, 9 Drawing Sheets



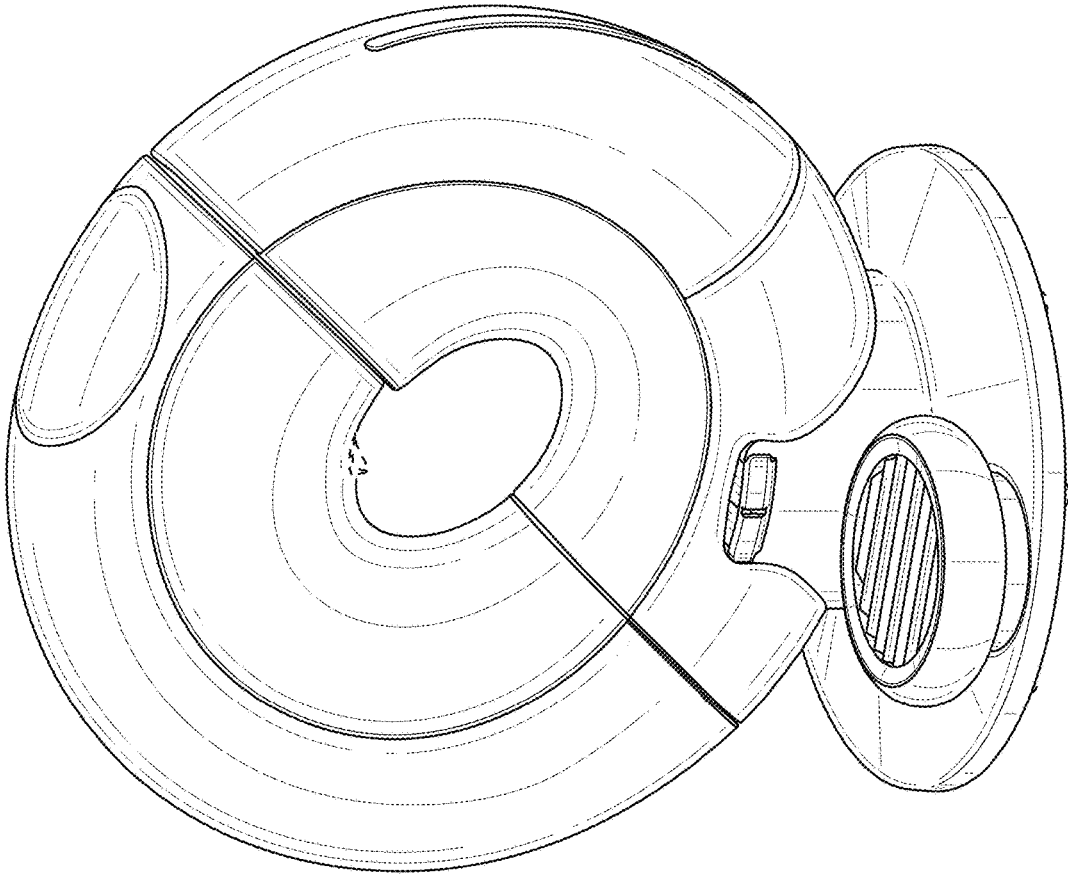


FIG. 1

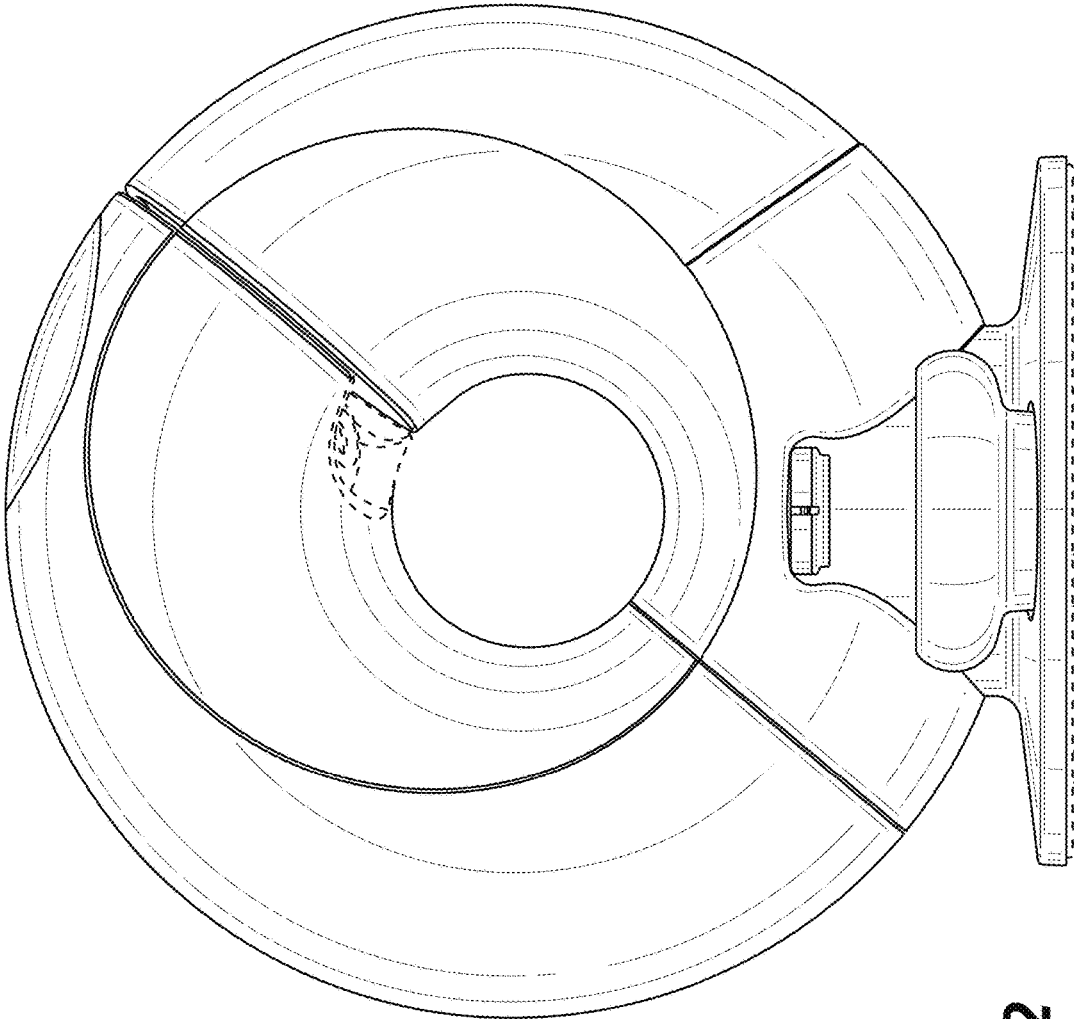


FIG. 2

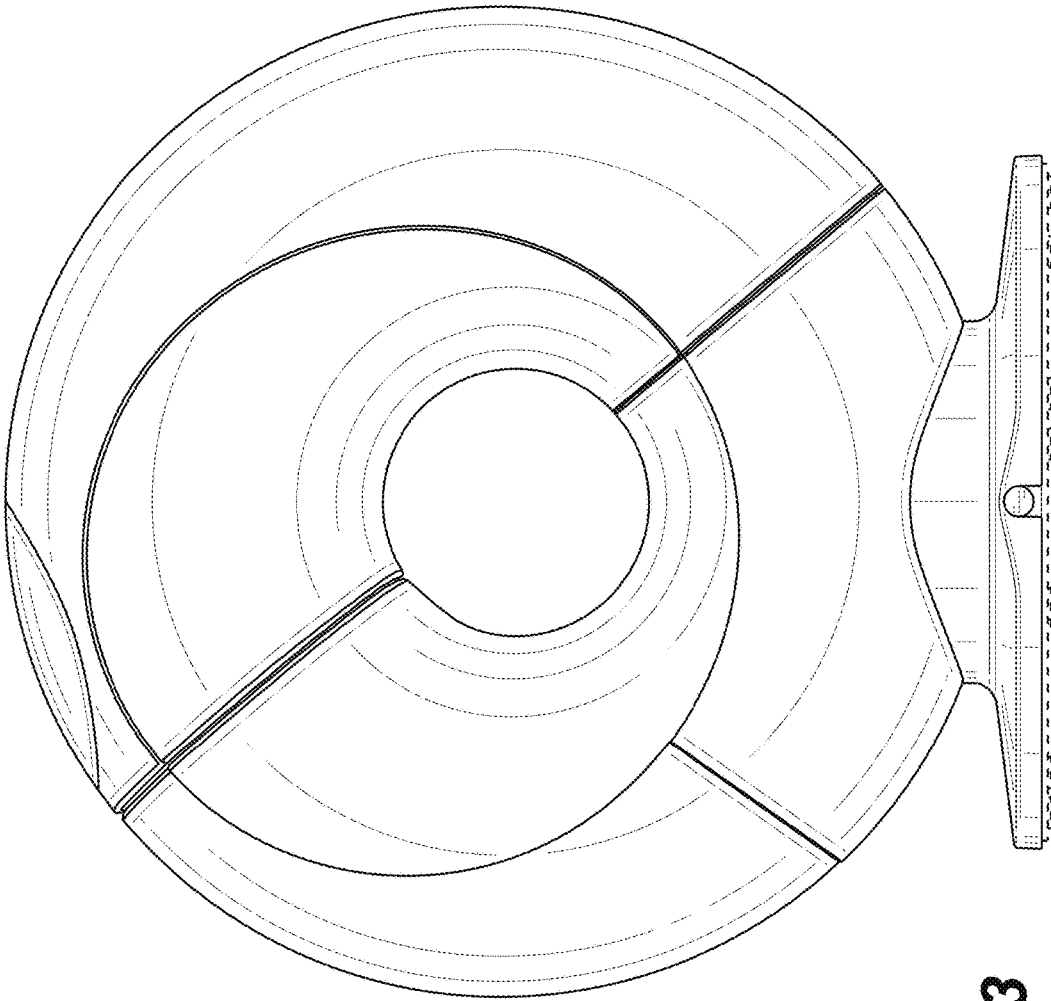


FIG. 3

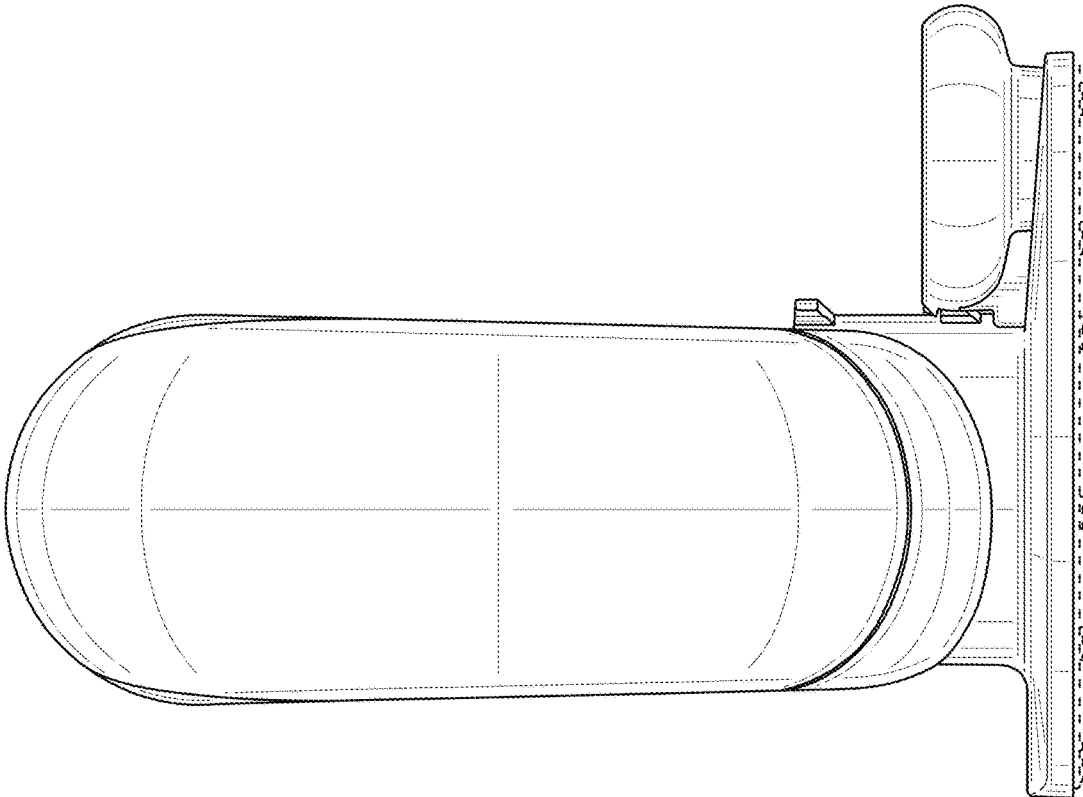


FIG. 4

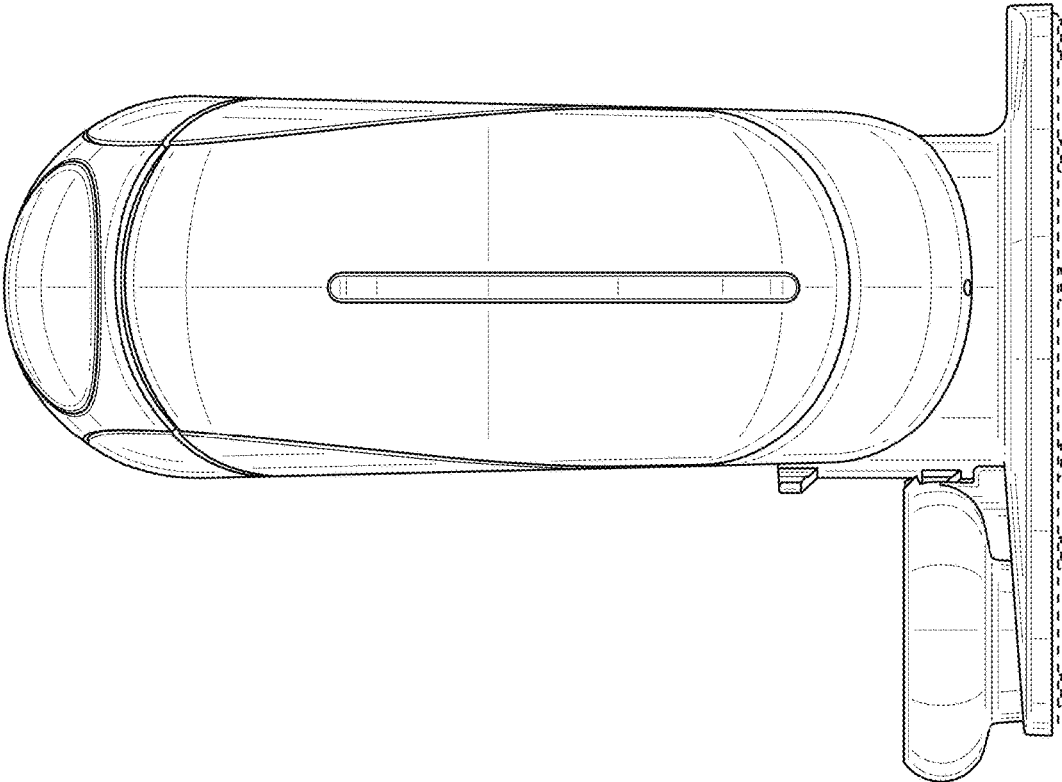


FIG. 5

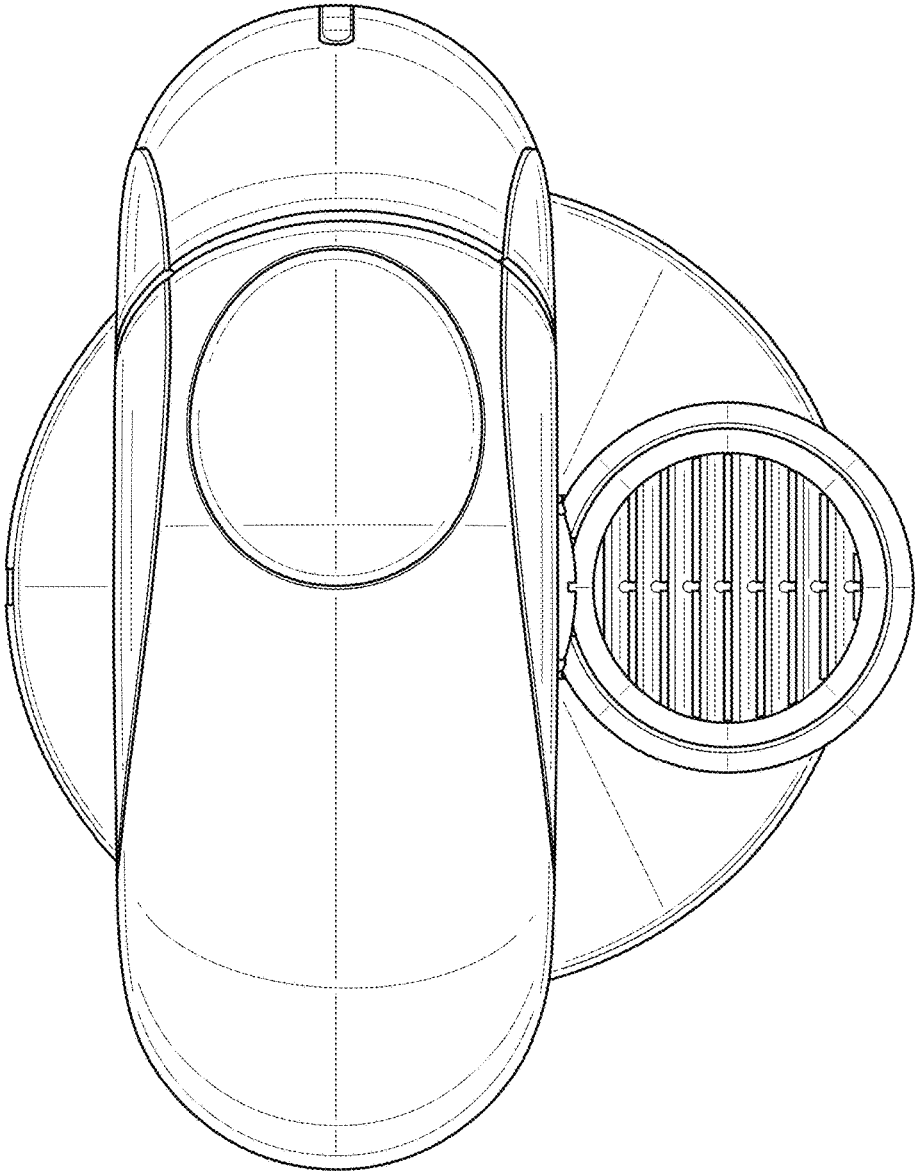


FIG. 6

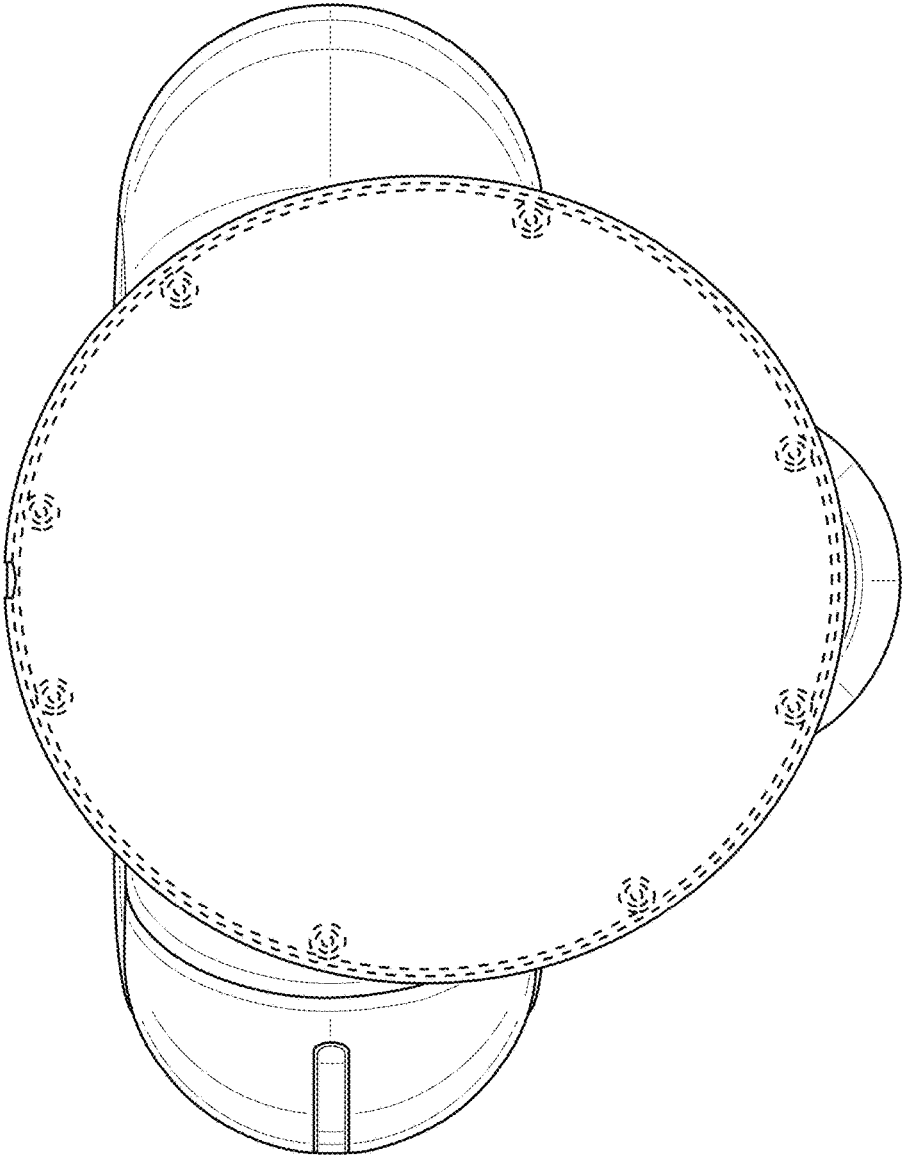


FIG. 7

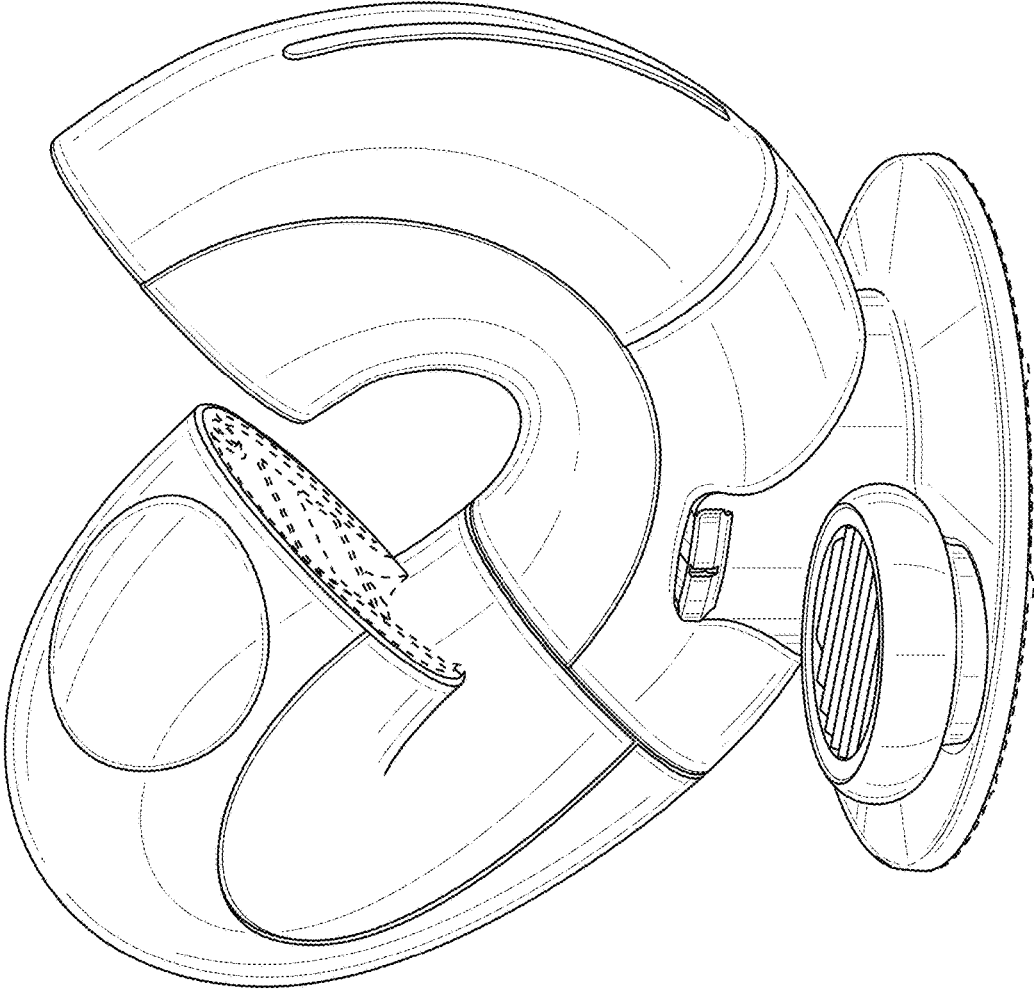


FIG. 8

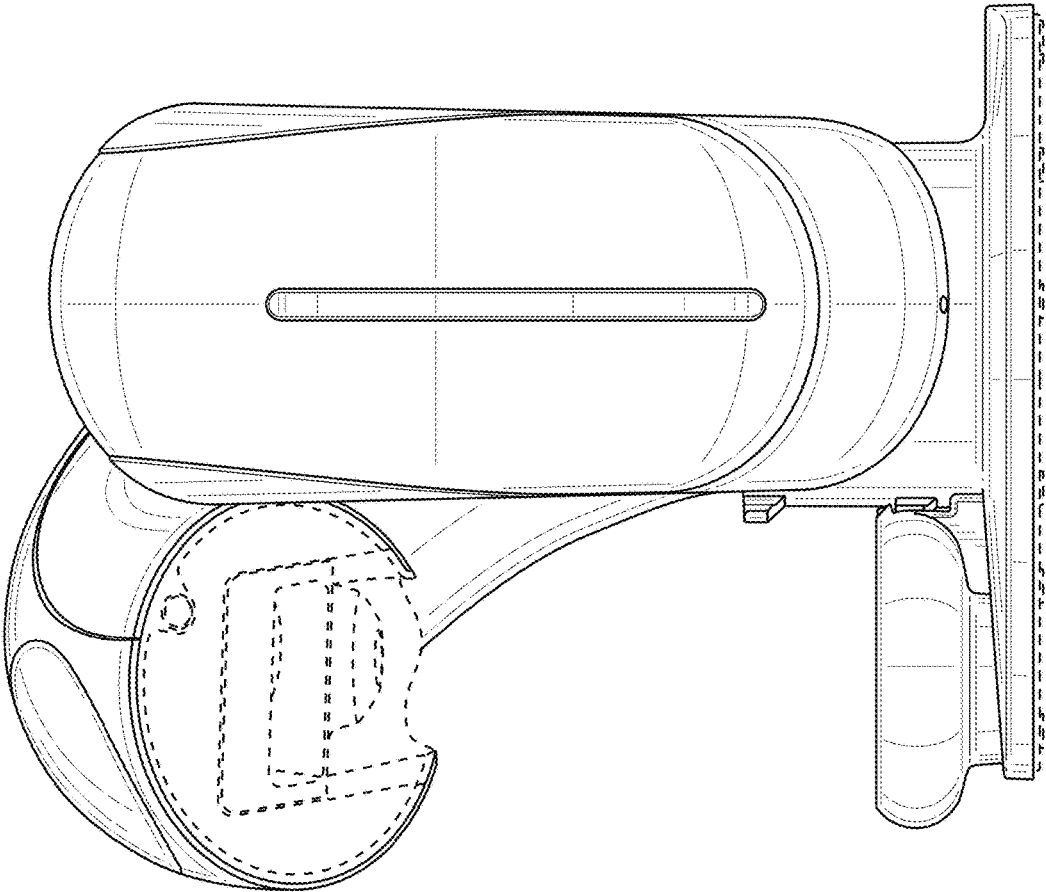


FIG. 9