



US00D815579S

(12) **United States Design Patent**
Fr noy et al.

(10) **Patent No.:** **US D815,579 S**

(45) **Date of Patent:** **** Apr. 17, 2018**

- (54) **AQUATIC VEHICLE**
- (71) Applicant: **THALES UNDERWATER SYSTEMS SAS, Valbonne (FR)**
- (72) Inventors: **Olivier Fr noy, Valbonne (FR); Jean-Philippe Brunet, Valbonne (FR)**
- (73) Assignee: **THALES UNDERWATER SYSTEMS SAS, Valbonne (FR)**
- (**) Term: **15 Years**

D291,299 S *	8/1987	Hawkes	D12/308
5,076,192 A *	12/1991	Tegel	F41F 3/042
				114/316
5,078,069 A *	1/1992	August	F42B 12/16
				102/399
5,979,354 A *	11/1999	Arzola	B63G 8/00
				114/312
6,845,728 B1 *	1/2005	Horton	B63G 8/42
				114/244
D730,418 S *	5/2015	Tjom	D12/308
D733,634 S *	7/2015	De Camargo Aranha	D12/308
2009/0107388 A1 *	4/2009	Crowell	B63G 8/00
				114/336

(21) Appl. No.: **29/581,172**

* cited by examiner

(22) Filed: **Oct. 17, 2016**

Primary Examiner — Cynthia M Chin

(30) **Foreign Application Priority Data**

(74) *Attorney, Agent, or Firm* — Muncy, Geissler, Olds & Lowe, P.C.

Oct. 11, 2016 (WO) 57516

(51) **LOC (11) Cl.** **12-06**

(52) **U.S. Cl.** **D12/308**

USPC **D12/308**

(58) **Field of Classification Search**

USPC D12/214, 308, 317, 318; 114/20.1, 244,
114/245, 312, 315, 316, 318, 319, 322,
114/324, 326, 327, 330-333, 337, 338;
440/49, 51, 53, 61 R, 61 T, 66, 76,
440/79-81, 89 R

CPC B63G 8/00; B63G 8/001; B63G 8/002;
B63G 8/08; B63G 8/41; B63G 8/42;
B63G 8/32; B63B 3/13; B63B 1/107;
B63C 11/36; B63C 11/40; B63C 11/42;
F41F 3/10

See application file for complete search history.

(56) **References Cited**

U.S. PATENT DOCUMENTS

3,779,194 A *	12/1973	Kahn	F42B 19/01
				114/20.1
3,897,743 A *	8/1975	Schoonman	B63G 8/001
				114/321

(57) **CLAIM**

The ornamental design for an aquatic vehicle, as shown and described.

DESCRIPTION

FIG. 1 is an enlarged rear view of the aquatic vehicle showing our new design:

FIG. 2 is an enlarged front view thereof,

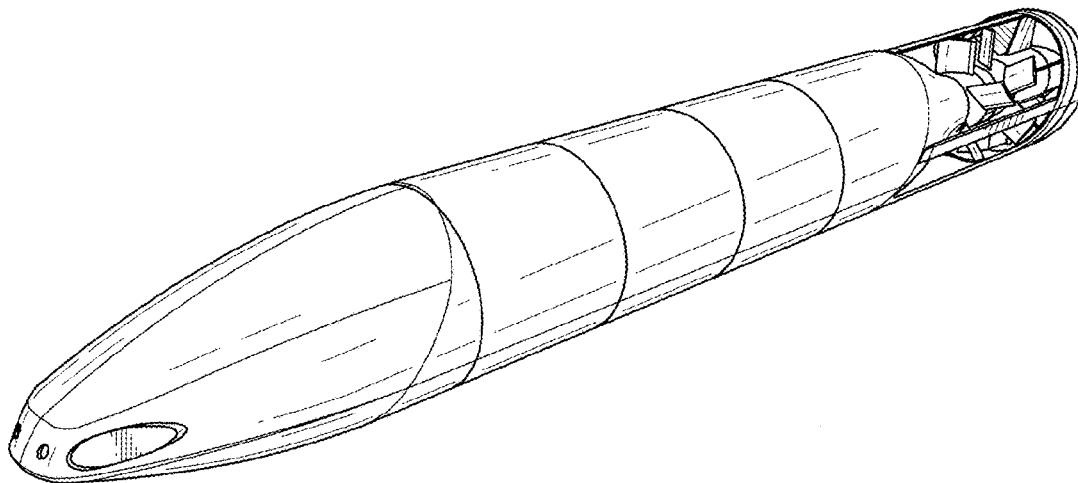
FIG. 3 is a left side view thereof, the right side view being a mirror image thereof,

FIG. 4 is a top plan view thereof,

FIG. 5 is a bottom view thereof; and,

FIG. 6 is a perspective view thereof.

1 Claim, 6 Drawing Sheets



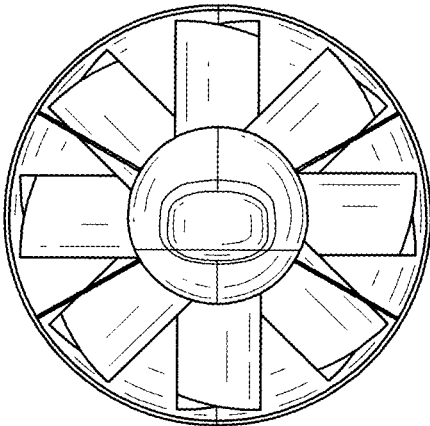


FIG. 1

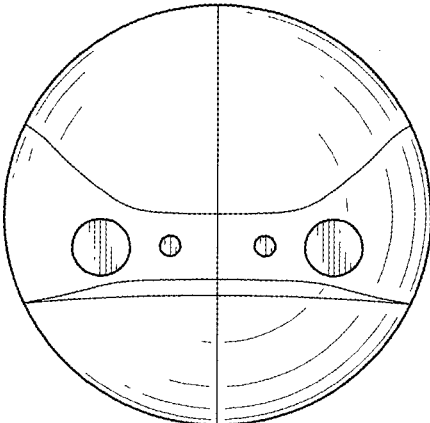


FIG.2

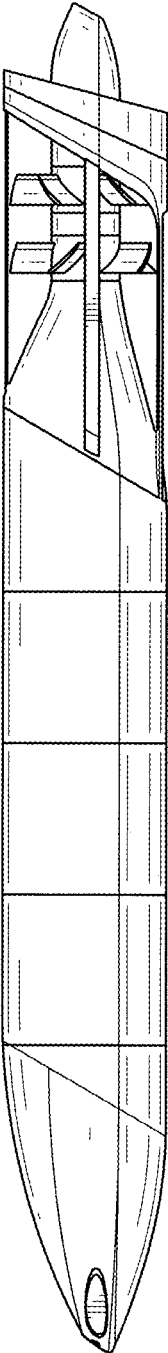


FIG.3

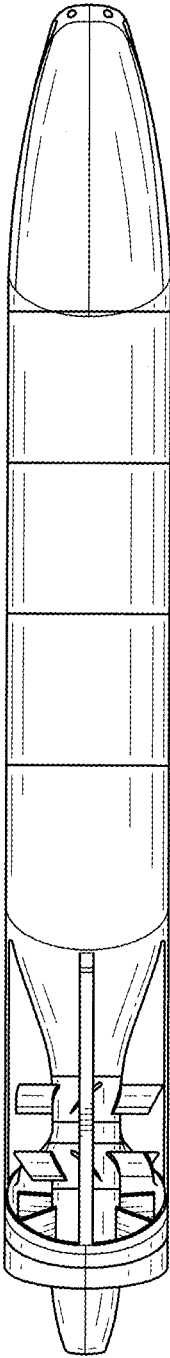


FIG.4

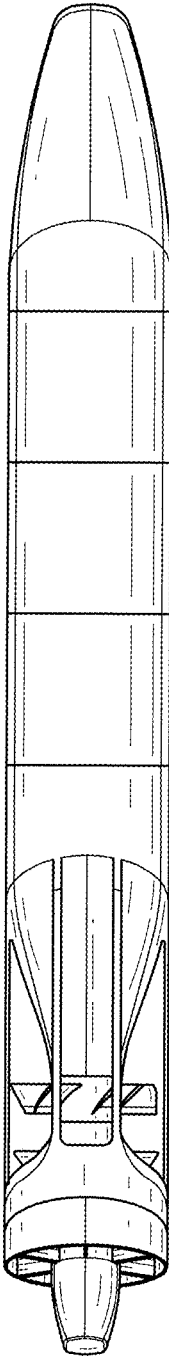


FIG.5

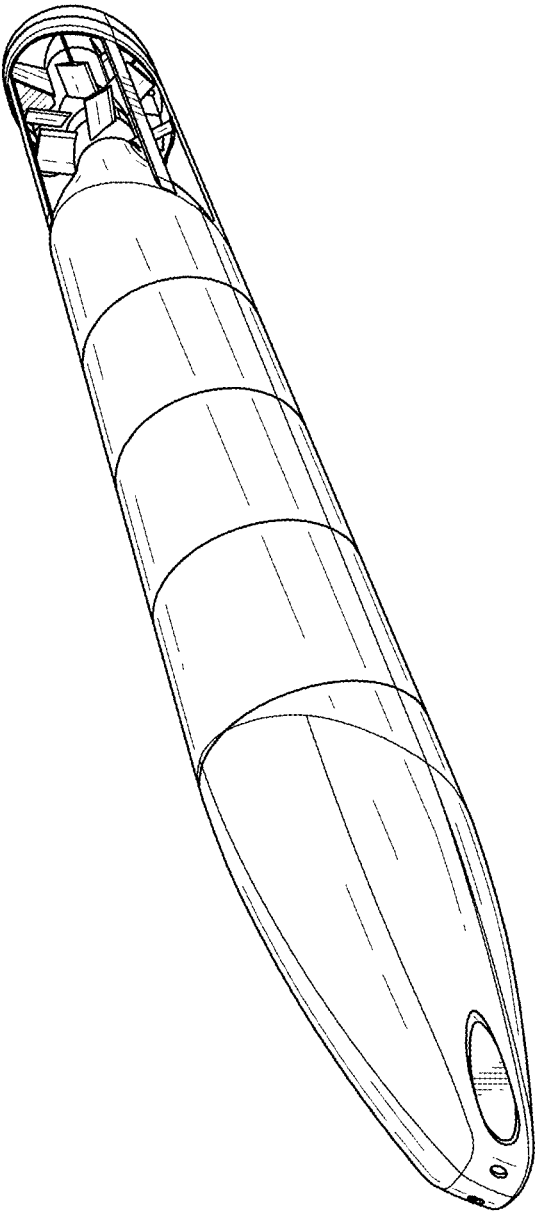


FIG.6