

(56)

References Cited

U.S. PATENT DOCUMENTS

6,085,864	A	7/2000	Copeland et al.	
D439,630	S	3/2001	Ellington et al.	
D450,381	S *	11/2001	Weinstein	D24/110
6,401,860	B1	6/2002	Ellington et al.	
D511,210	S *	11/2005	Cardona Burrull	D24/110.5
6,986,348	B2	1/2006	Carter	
D557,788	S *	12/2007	Eloranta	24/110
D569,499	S	5/2008	McCullough	
D574,951	S *	8/2008	Reusch	D24/108
7,997,275	B2	8/2011	Quinn	
D779,071	S *	2/2017	Warner, III	D24/164
9,723,880	B1 *	8/2017	Macey, Jr.	A41D 13/11
2002/0073993	A1 *	6/2002	Weinstein	A61B 5/0871
				128/200.24
2005/0034722	A1 *	2/2005	Carter	A41D 13/11
				128/200.24
2005/0194010	A1	9/2005	Sankot	
2006/0254591	A1	11/2006	Marx	
2007/0295334	A1	12/2007	Nonomura	
2008/0210225	A1 *	9/2008	Geiger	A61M 15/0086
				128/200.14
2009/0101151	A1 *	4/2009	Russell	A62B 23/00
				128/206.17
2009/0270831	A1	10/2009	Mazzone	
2011/0083259	A1 *	4/2011	Wright	A61J 19/00
				4/261
2014/0014120	A1	1/2014	Wright	
2014/0251349	A1	9/2014	Delatorre	
2016/0067431	A1 *	3/2016	Abate	A61M 11/005
				128/200.16
2016/0287139	A1 *	10/2016	Luttrell	G07F 17/3244
2017/0182196	A1 *	6/2017	Patel	A61L 2/26

* cited by examiner

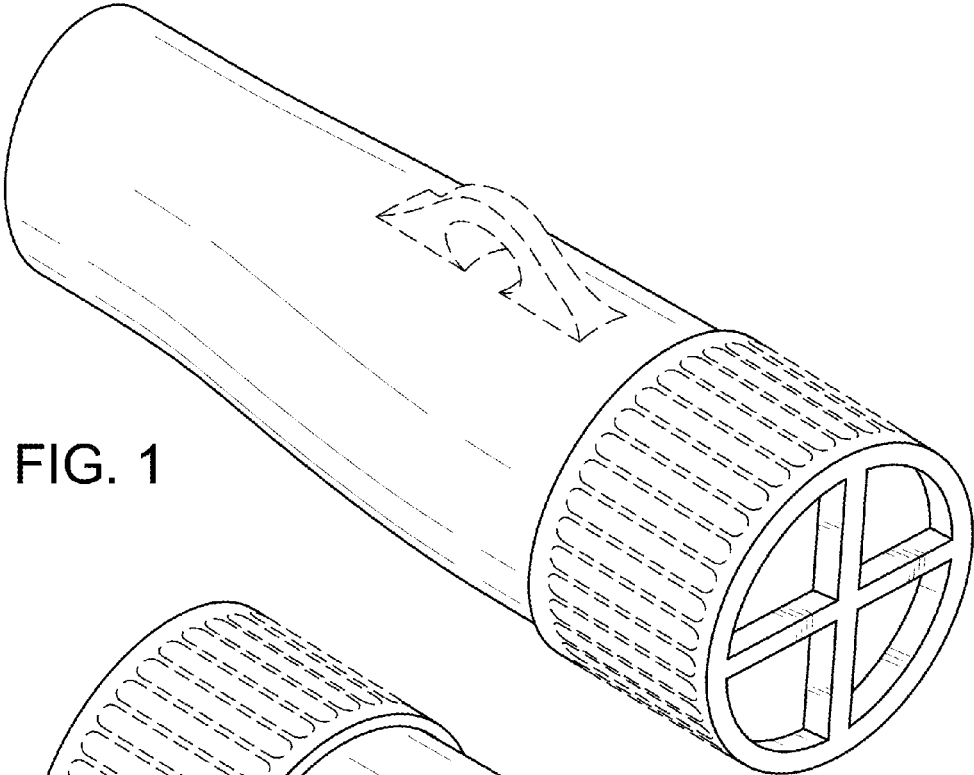


FIG. 1

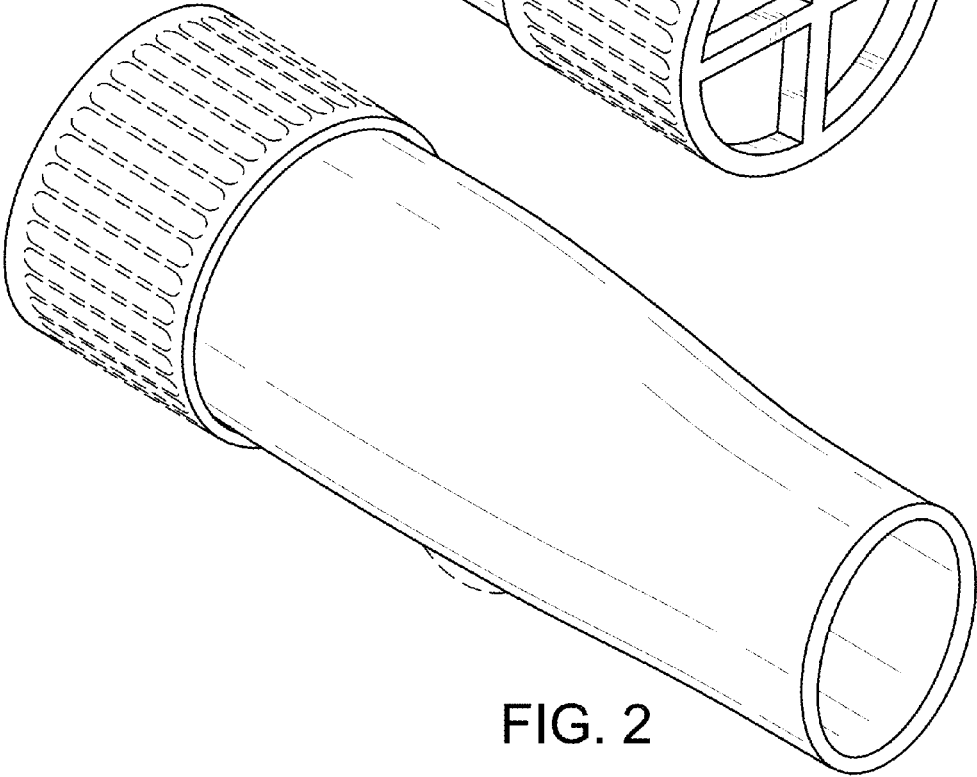


FIG. 2

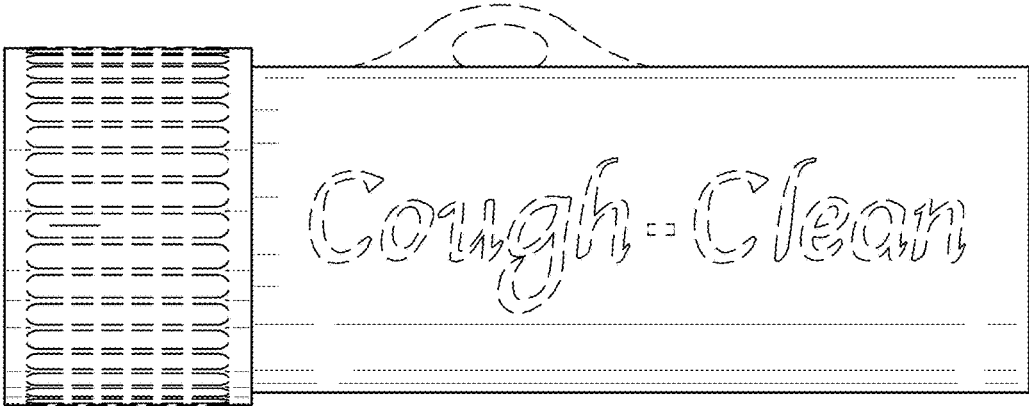


FIG. 3

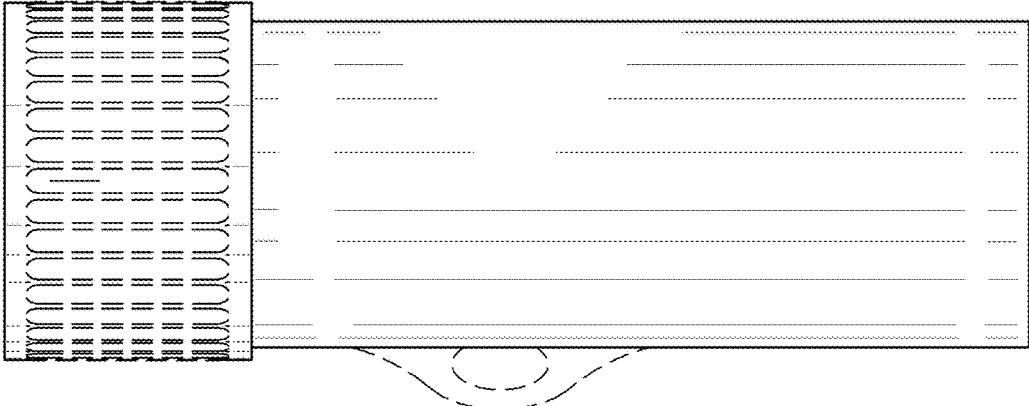


FIG. 4

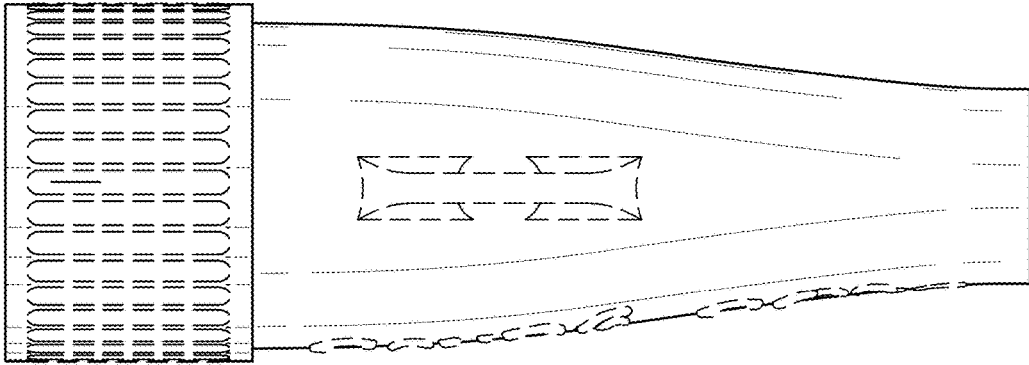


FIG. 5

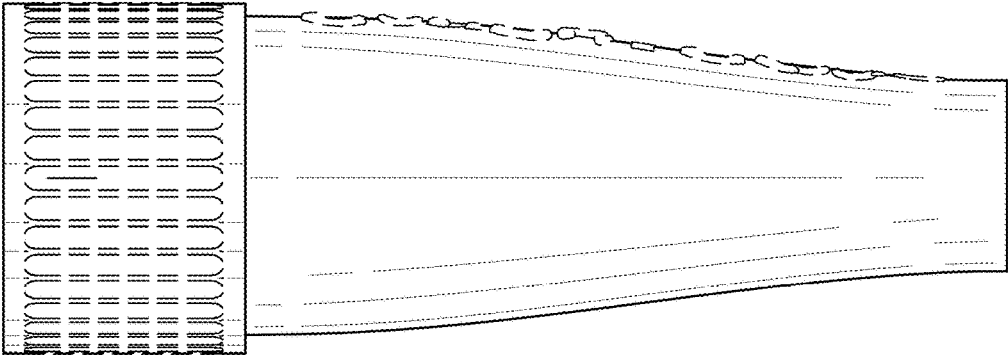


FIG. 6

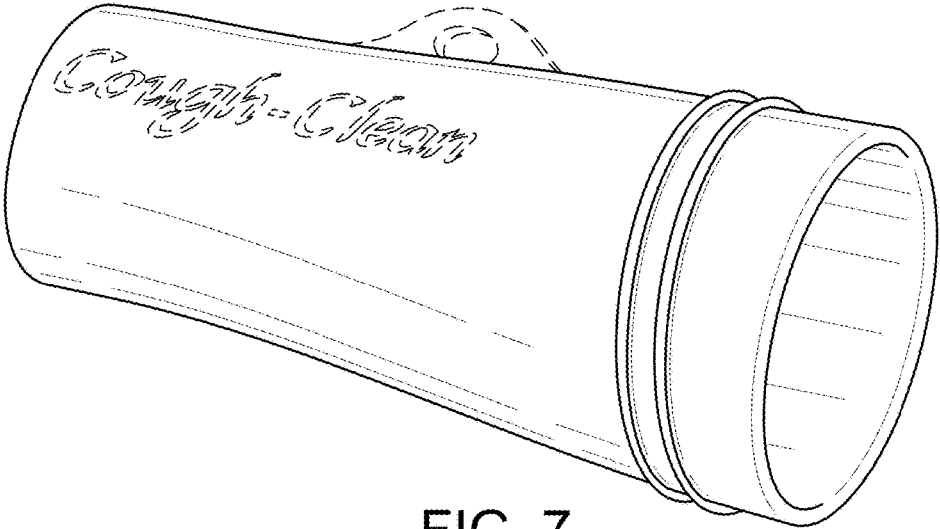


FIG. 7

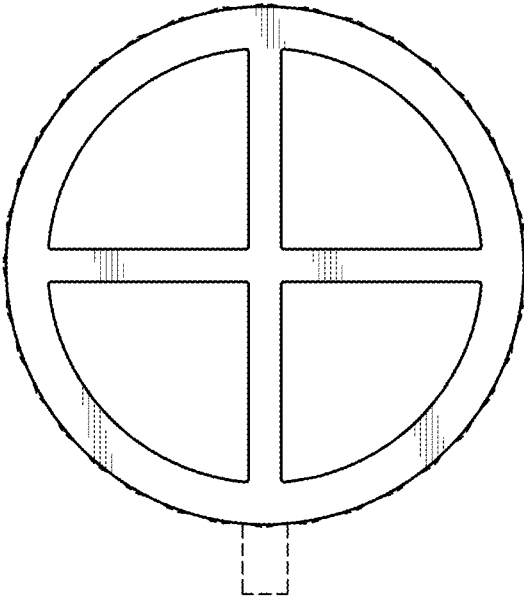


FIG. 8

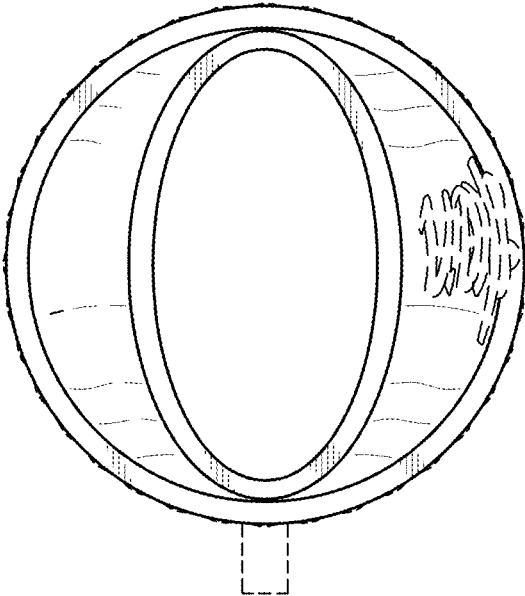


FIG. 9

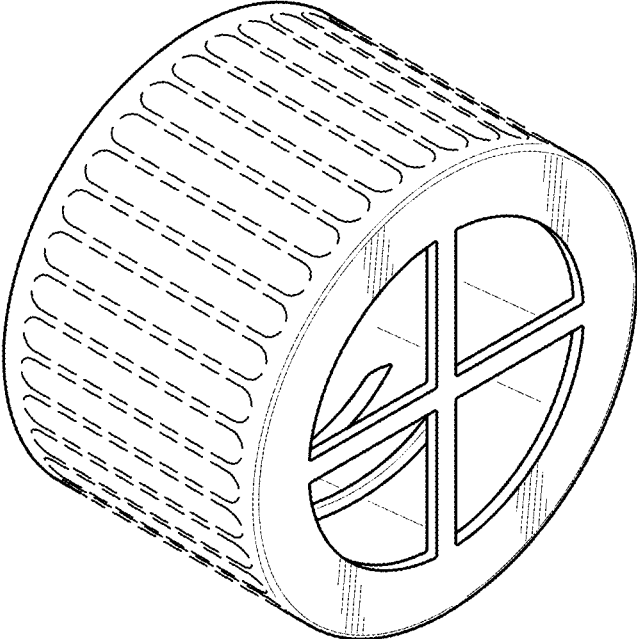


FIG. 10

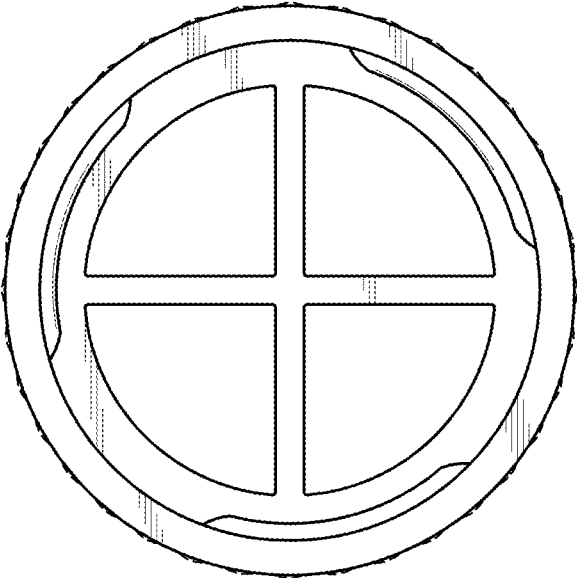


FIG. 11